

APPENDIX D

TRAFFIC OPERATIONS ASSESSMENT MATERIAL



The Delay Reduction Index (DRI) was used to perform a quantitative evaluation of select highway category improvements for the Mobility Effects section of the evaluation process. Using demand volume data from the VTA travel demand model and the MTC model delay curve equation (delay increases as volume-to-capacity ratio increases), Fehr & Peers estimated the total person-hours of delay on each I-680 freeway segment between US 101 and the Alameda County-Santa Clara County line. This calculation used assumed lane capacities for various freeway lane types (general purpose, auxiliary, and preferential lanes), assumed average vehicle occupancies, free flow travel times and segment length to determine the estimated person-hours of delay on the segment. Year 2040 baseline volumes were developed by extrapolating between Base Year (2013) and Year 2020 volumes, or by increasing volumes at a ½ percent per year (linear) growth factor, whichever was greater.

Based on the description of the improvement to be tested the calculation was modified to reflect impacts to lane capacities. Then, it was compared to the baseline calculation to estimate the change in person-hours of delay due to the improvement or DRI. A decrease in person-hours of delay results in a positive DRI. For example, an improvement that added an express lane for a significant portion of the corridor would be expected to increase the delay reduction index more significantly than one that converted an existing lane to an express lane. Improvements evaluated under the DRI method were given Mobility Effects score using the following criteria:

Score	DRI Range
5	>10,000
4	5,000-10,000
3	1,000-5,000
2	100-1,000
1	0-100
0	<0

The DRI analysis was generally limited to large-scale, corridor-wide improvements, such as additional express lanes/HOV lanes or ramp improvements at interchanges that are projected to be substantially over-capacity. A detailed operations analysis could be performed prior to selecting improvements for further development as the DRI analysis is a high-level, initial analysis. Other improvements in the highway category were evaluated using qualitative methods which took into account relative levels of future congestion and the improvement's ability to relieve that congestion.

Traffic Data Service

Campbell, CA
 (408) 377-2988
 tdsbay@cs.com

File Name : 1PM FINAL
 Site Code : 00000001
 Start Date : 3/5/2015
 Page No : 1

Groups Printed- Vehicles

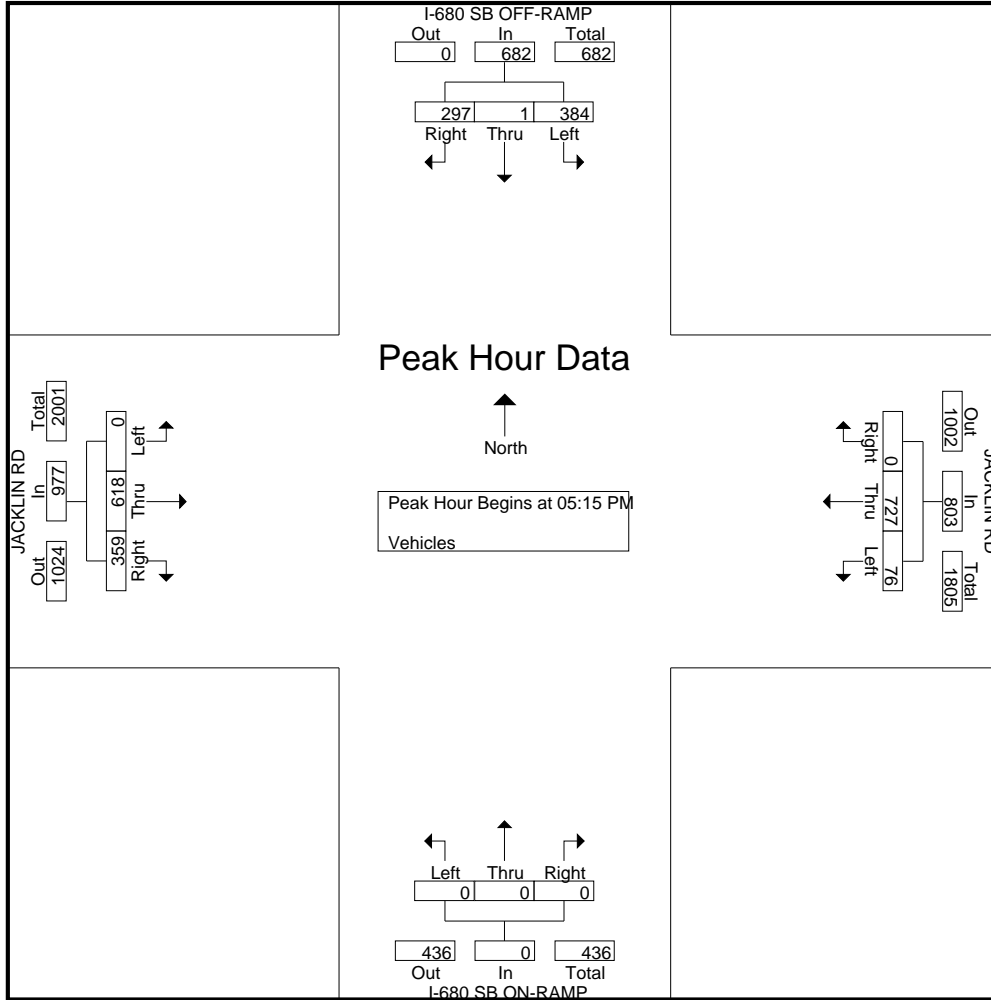
Start Time	I-680 SB OFF-RAMP Southbound					JACKLIN RD Westbound					I-680 SB ON-RAMP Northbound					JACKLIN RD Eastbound					Int. Total
	Right	Thru	Left	Peds	App. Total	Right	Thru	Left	Peds	App. Total	Right	Thru	Left	Peds	App. Total	Right	Thru	Left	Peds	App. Total	
04:00 PM	17	2	36	4	59	0	141	28	0	169	0	0	0	0	0	104	107	0	0	211	439
04:15 PM	23	0	34	2	59	0	154	21	0	175	0	0	0	3	3	92	90	0	0	182	419
04:30 PM	33	1	49	30	113	0	159	30	0	189	0	0	0	6	6	89	103	0	0	192	500
04:45 PM	40	0	49	1	90	0	165	19	0	184	0	0	0	2	2	92	128	0	0	220	496
Total	113	3	168	37	321	0	619	98	0	717	0	0	0	11	11	377	428	0	0	805	1854
05:00 PM	51	0	66	0	117	0	171	19	0	190	0	0	0	0	0	109	138	0	0	247	554
05:15 PM	69	0	109	0	178	0	195	16	0	211	0	0	0	4	4	93	130	0	0	223	616
05:30 PM	87	0	105	2	194	0	181	20	0	201	0	0	0	0	0	98	155	0	0	253	648
05:45 PM	78	0	97	3	178	0	182	17	0	199	0	0	0	2	2	83	173	0	0	256	635
Total	285	0	377	5	667	0	729	72	0	801	0	0	0	6	6	383	596	0	0	979	2453
06:00 PM	63	1	73	3	140	0	169	23	0	192	0	0	0	0	0	85	160	0	0	245	577
06:15 PM	56	1	55	3	115	0	213	25	0	238	0	0	0	2	2	97	140	0	0	237	592
06:30 PM	35	0	43	2	80	0	167	18	0	185	0	0	0	1	1	117	132	0	0	249	515
06:45 PM	29	0	28	0	57	0	153	23	0	176	0	0	0	0	0	97	125	0	0	222	455
Total	183	2	199	8	392	0	702	89	0	791	0	0	0	3	3	396	557	0	0	953	2139
Grand Total	581	5	744	50	1380	0	2050	259	0	2309	0	0	0	20	20	1156	1581	0	0	2737	6446
Apprch %	42.1	0.4	53.9	3.6		0	88.8	11.2	0		0	0	0	100		42.2	57.8	0	0		
Total %	9	0.1	11.5	0.8	21.4	0	31.8	4	0	35.8	0	0	0	0.3	0.3	17.9	24.5	0	0	42.5	

Start Time	I-680 SB OFF-RAMP Southbound					JACKLIN RD Westbound					I-680 SB ON-RAMP Northbound					JACKLIN RD Eastbound					Int. Total
	Right	Thru	Left	Peds	App. Total	Right	Thru	Left	Peds	App. Total	Right	Thru	Left	Peds	App. Total	Right	Thru	Left	Peds	App. Total	
Peak Hour Analysis From 04:00 PM to 06:45 PM - Peak 1 of 1																					
Peak Hour for Entire Intersection Begins at 05:15 PM																					
05:15 PM	69	0	109		178	0	195	16		211	0	0	0	0	0	93	130	0	0	223	612
05:30 PM	87	0	105		192	0	181	20		201	0	0	0	0	0	98	155	0	0	253	646
05:45 PM	78	0	97		175	0	182	17		199	0	0	0	0	0	83	173	0	0	256	630
06:00 PM	63	1	73		137	0	169	23		192	0	0	0	0	0	85	160	0	0	245	574
Total Volume	297	1	384		682	0	727	76		803	0	0	0	0	0	359	618	0	0	977	2462
% App. Total	43.5	0.1	56.3			0	90.5	9.5			0	0	0	0	0	36.7	63.3	0	0		
PHF	.853	.250	.881		.888	.000	.932	.826		.951	.000	.000	.000	.000	.000	.916	.893	.000	.954		.953

Traffic Data Service

Campbell, CA
 (408) 377-2988
idsbay@cs.com

File Name : 1PM FINAL
 Site Code : 00000001
 Start Date : 3/5/2015
 Page No : 2



Traffic Data Service

Campbell, CA
(408) 377-2988
tdsbay@cs.com

File Name : 2AM FINAL
Site Code : 00000002
Start Date : 3/10/2015
Page No : 1

Groups Printed- Vehicles

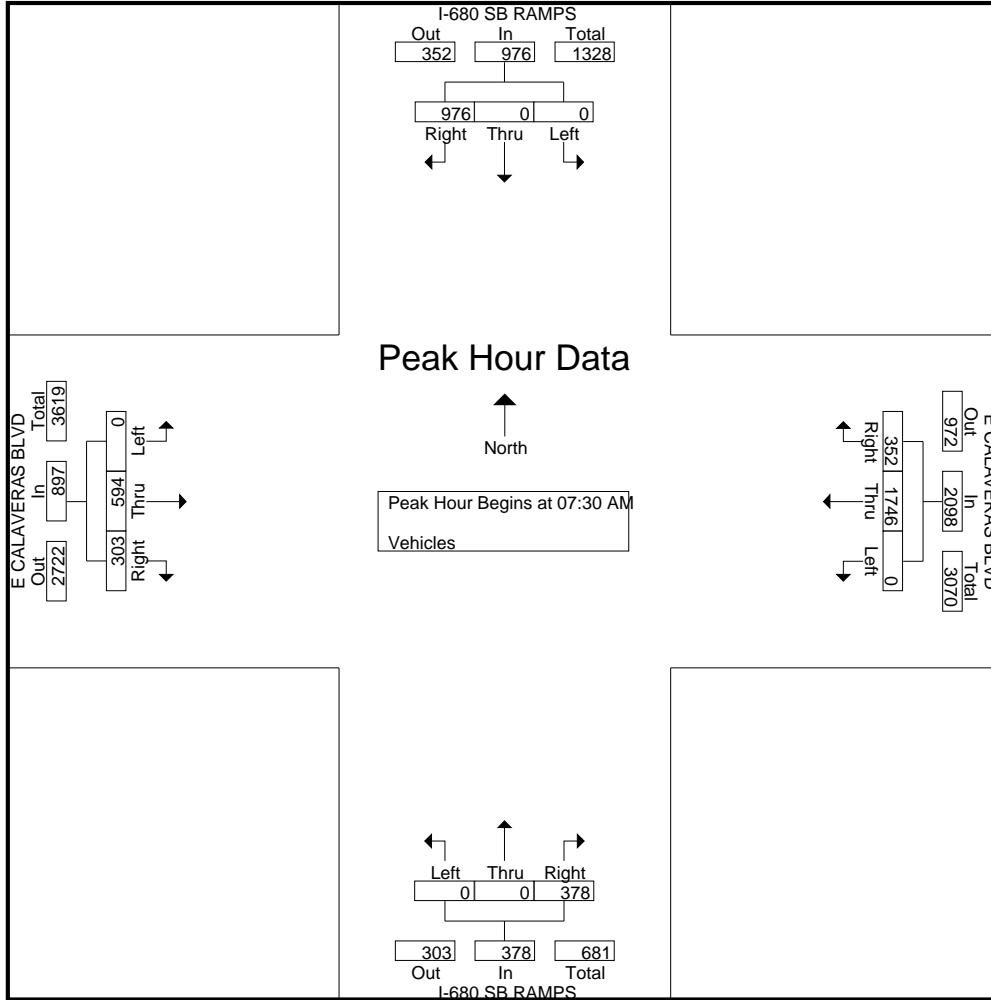
Start Time	I-680 SB RAMPS Southbound					E CALAVERAS BLVD Westbound					I-680 SB RAMPS Northbound					E CALAVERAS BLVD Eastbound					Int. Total
	Right	Thru	Left	Peds	App. Total	Right	Thru	Left	Peds	App. Total	Right	Thru	Left	Peds	App. Total	Right	Thru	Left	Peds	App. Total	
07:00 AM	266	0	0	1	267	49	346	0	0	395	26	0	0	0	26	76	83	0	0	159	847
07:15 AM	261	0	0	1	262	62	407	0	0	469	42	0	0	2	44	65	97	0	0	162	937
07:30 AM	260	0	0	0	260	87	470	0	0	557	84	0	0	1	85	74	126	0	0	200	1102
07:45 AM	255	0	0	3	258	71	454	0	0	525	128	0	0	1	129	93	176	0	0	269	1181
Total	1042	0	0	5	1047	269	1677	0	0	1946	280	0	0	4	284	308	482	0	0	790	4067
08:00 AM	217	0	0	1	218	108	430	0	0	538	82	0	0	1	83	64	164	0	0	228	1067
08:15 AM	244	0	0	1	245	86	392	0	0	478	84	0	0	0	84	72	128	0	0	200	1007
08:30 AM	200	0	0	0	200	80	371	0	0	451	65	0	0	1	66	87	127	0	0	214	931
08:45 AM	205	0	0	2	207	96	297	0	0	393	65	0	0	2	67	80	130	0	0	210	877
Total	866	0	0	4	870	370	1490	0	0	1860	296	0	0	4	300	303	549	0	0	852	3882
09:00 AM	198	0	0	0	198	67	308	0	0	375	55	0	0	3	58	88	141	0	0	229	860
09:15 AM	175	0	0	1	176	74	297	0	0	371	33	0	0	2	35	101	144	0	0	245	827
09:30 AM	192	0	0	2	194	83	294	0	0	377	41	0	0	2	43	122	152	0	0	274	888
09:45 AM	164	0	0	6	170	77	304	0	0	381	51	0	0	3	54	107	134	0	0	241	846
Total	729	0	0	9	738	301	1203	0	0	1504	180	0	0	10	190	418	571	0	0	989	3421
Grand Total	2637	0	0	18	2655	940	4370	0	0	5310	756	0	0	18	774	1029	1602	0	0	2631	11370
Apprch %	99.3	0	0	0.7		17.7	82.3	0	0		97.7	0	0	2.3		39.1	60.9	0	0		
Total %	23.2	0	0	0.2	23.4	8.3	38.4	0	0	46.7	6.6	0	0	0.2	6.8	9.1	14.1	0	0	23.1	

Start Time	I-680 SB RAMPS Southbound				E CALAVERAS BLVD Westbound				I-680 SB RAMPS Northbound				E CALAVERAS BLVD Eastbound				Int. Total
	Right	Thru	Left	App. Total	Right	Thru	Left	App. Total	Right	Thru	Left	App. Total	Right	Thru	Left	App. Total	
Peak Hour Analysis From 07:00 AM to 09:45 AM - Peak 1 of 1																	
Peak Hour for Entire Intersection Begins at 07:30 AM																	
07:30 AM	260	0	0	260	87	470	0	557	84	0	0	84	74	126	0	200	1101
07:45 AM	255	0	0	255	71	454	0	525	128	0	0	128	93	176	0	269	1177
08:00 AM	217	0	0	217	108	430	0	538	82	0	0	82	64	164	0	228	1065
08:15 AM	244	0	0	244	86	392	0	478	84	0	0	84	72	128	0	200	1006
Total Volume	976	0	0	976	352	1746	0	2098	378	0	0	378	303	594	0	897	4349
% App. Total	100	0	0		16.8	83.2	0		100	0	0		33.8	66.2	0		
PHF	.938	.000	.000	.938	.815	.929	.000	.942	.738	.000	.000	.738	.815	.844	.000	.834	.924

Traffic Data Service

Campbell, CA
 (408) 377-2988
idsbay@cs.com

File Name : 2AM FINAL
 Site Code : 00000002
 Start Date : 3/10/2015
 Page No : 2



Traffic Data Service

Campbell, CA
(408) 377-2988
tdsbay@cs.com

File Name : 2PM FINAL
Site Code : 00000002
Start Date : 3/10/2015
Page No : 1

Groups Printed- Vehicles

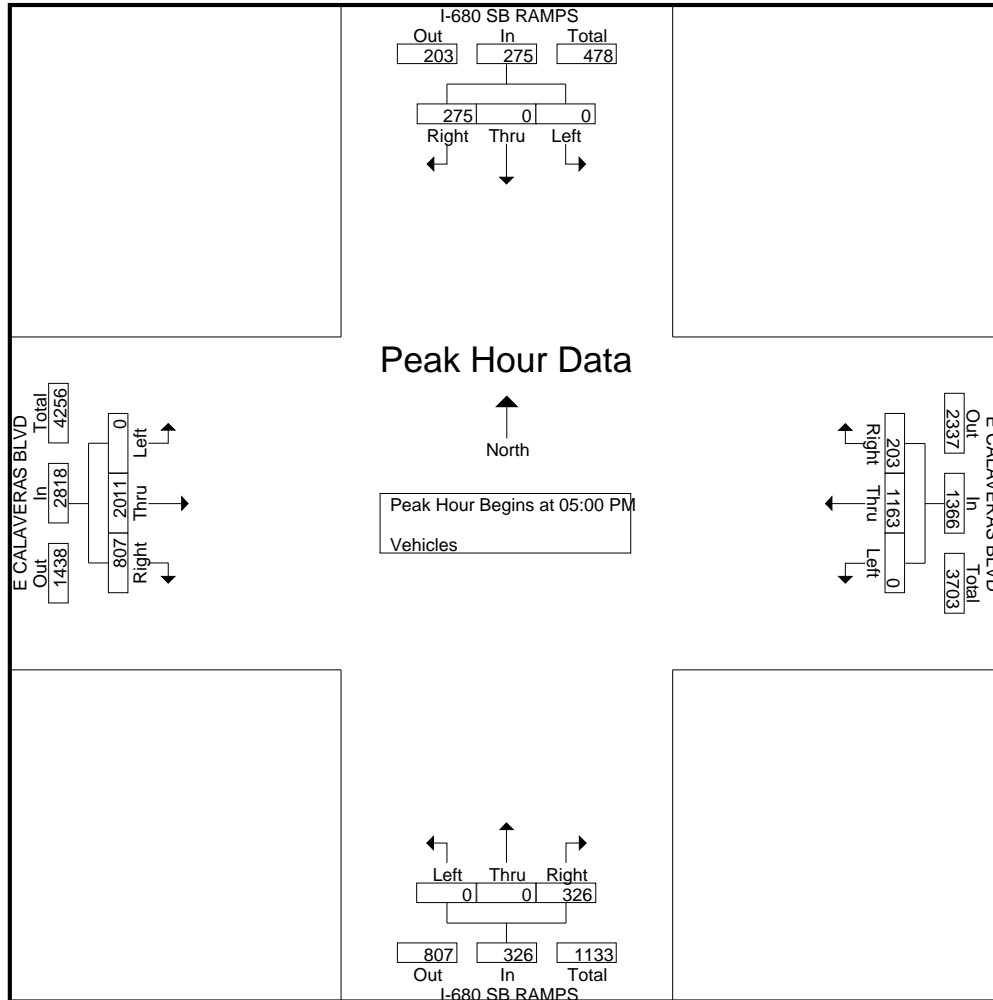
Start Time	I-680 SB RAMPS Southbound					E CALAVERAS BLVD Westbound					I-680 SB RAMPS Northbound					E CALAVERAS BLVD Eastbound					Int. Total
	Right	Thru	Left	Peds	App. Total	Right	Thru	Left	Peds	App. Total	Right	Thru	Left	Peds	App. Total	Right	Thru	Left	Peds	App. Total	
04:00 PM	71	0	0	0	71	82	246	0	0	328	48	0	0	3	51	255	398	0	0	653	1103
04:15 PM	54	0	0	2	56	57	296	0	0	353	59	0	0	1	60	204	446	0	0	650	1119
04:30 PM	50	0	0	0	50	74	270	0	0	344	63	0	0	1	64	209	419	0	0	628	1086
04:45 PM	74	0	0	10	84	46	267	0	0	313	84	0	0	3	87	231	463	0	0	694	1178
Total	249	0	0	12	261	259	1079	0	0	1338	254	0	0	8	262	899	1726	0	0	2625	4486
05:00 PM	63	0	0	4	67	54	288	0	0	342	73	0	0	1	74	265	484	0	0	749	1232
05:15 PM	75	0	0	4	79	46	281	0	0	327	83	0	0	2	85	188	514	0	0	702	1193
05:30 PM	67	0	0	2	69	52	303	0	0	355	94	0	0	1	95	189	488	0	0	677	1196
05:45 PM	70	0	0	0	70	51	291	0	1	343	76	0	0	3	79	165	525	0	0	690	1182
Total	275	0	0	10	285	203	1163	0	1	1367	326	0	0	7	333	807	2011	0	0	2818	4803
06:00 PM	74	0	0	3	77	56	254	0	0	310	70	0	0	0	70	172	467	0	0	639	1096
06:15 PM	79	0	0	0	79	50	289	0	0	339	77	0	0	0	77	137	447	0	0	584	1079
06:30 PM	52	0	0	2	54	59	252	0	0	311	70	0	0	0	70	167	467	0	0	634	1069
06:45 PM	64	0	0	6	70	49	251	0	0	300	63	0	0	1	64	147	417	0	0	564	998
Total	269	0	0	11	280	214	1046	0	0	1260	280	0	0	1	281	623	1798	0	0	2421	4242
Grand Total	793	0	0	33	826	676	3288	0	1	3965	860	0	0	16	876	2329	5535	0	0	7864	13531
Apprch %	96	0	0	4		17	82.9	0	0		98.2	0	0	1.8		29.6	70.4	0	0		
Total %	5.9	0	0	0.2	6.1	5	24.3	0	0	29.3	6.4	0	0	0.1	6.5	17.2	40.9	0	0	58.1	

Start Time	I-680 SB RAMPS Southbound				E CALAVERAS BLVD Westbound				I-680 SB RAMPS Northbound				E CALAVERAS BLVD Eastbound				Int. Total
	Right	Thru	Left	App. Total	Right	Thru	Left	App. Total	Right	Thru	Left	App. Total	Right	Thru	Left	App. Total	
Peak Hour Analysis From 04:00 PM to 06:45 PM - Peak 1 of 1																	
Peak Hour for Entire Intersection Begins at 05:00 PM																	
05:00 PM	63	0	0	63	54	288	0	342	73	0	0	73	265	484	0	749	1227
05:15 PM	75	0	0	75	46	281	0	327	83	0	0	83	188	514	0	702	1187
05:30 PM	67	0	0	67	52	303	0	355	94	0	0	94	189	488	0	677	1193
05:45 PM	70	0	0	70	51	291	0	342	76	0	0	76	165	525	0	690	1178
Total Volume	275	0	0	275	203	1163	0	1366	326	0	0	326	807	2011	0	2818	4785
% App. Total	100	0	0		14.9	85.1	0		100	0	0		28.6	71.4	0		
PHF	.917	.000	.000	.917	.940	.960	.000	.962	.867	.000	.000	.867	.761	.958	.000	.941	.975

Traffic Data Service

Campbell, CA
 (408) 377-2988
tdsbay@cs.com

File Name : 2PM FINAL
 Site Code : 00000002
 Start Date : 3/10/2015
 Page No : 2



Traffic Data Service

Campbell, CA
 (408) 377-2988
 tdsbay@cs.com

File Name : 3AM FINAL
 Site Code : 00000003
 Start Date : 3/4/2015
 Page No : 1

Groups Printed- Vehicles

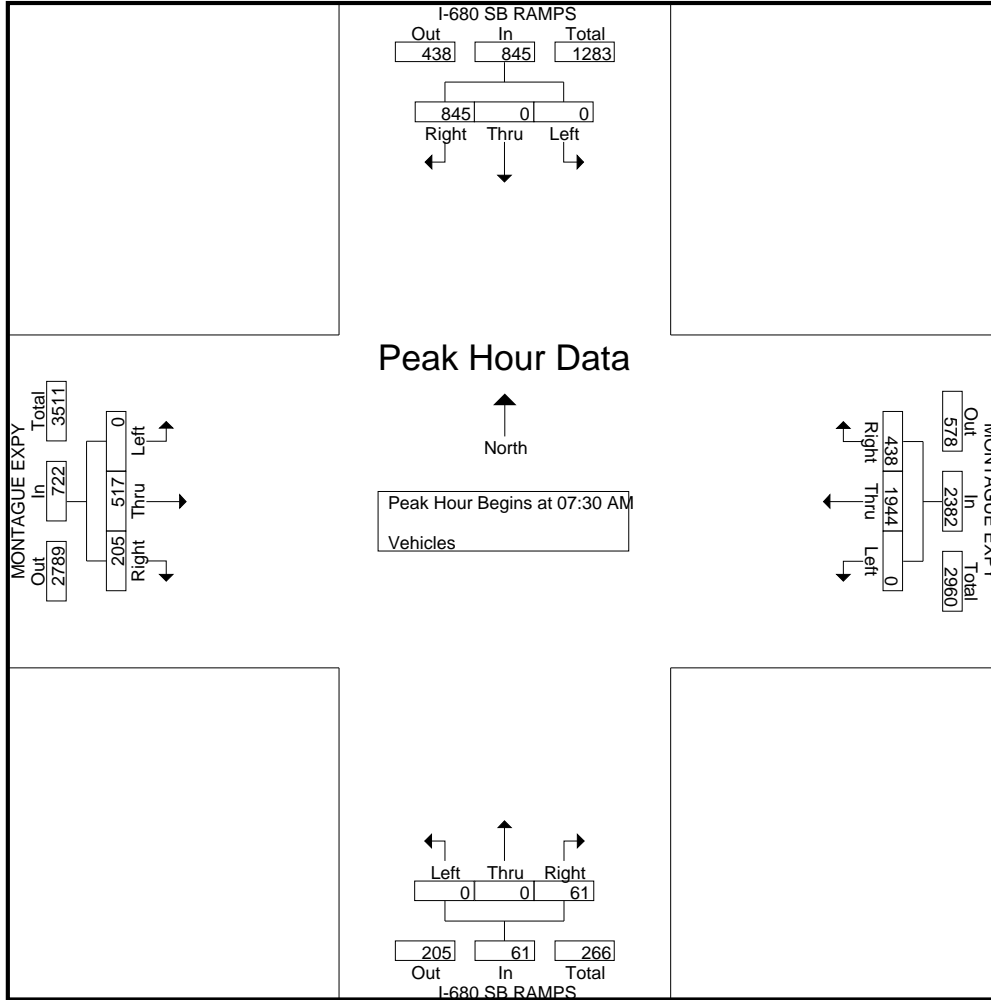
Start Time	I-680 SB RAMPS Southbound					MONTAGUE EXPY Westbound					I-680 SB RAMPS Northbound					MONTAGUE EXPY Eastbound					Int. Total
	Right	Thru	Left	Peds	App. Total	Right	Thru	Left	Peds	App. Total	Right	Thru	Left	Peds	App. Total	Right	Thru	Left	Peds	App. Total	
07:00 AM	212	0	0	0	212	75	510	0	0	585	10	0	0	0	10	50	72	0	0	122	929
07:15 AM	219	0	0	0	219	87	513	0	0	600	24	0	0	0	24	30	87	0	0	117	960
07:30 AM	198	0	0	0	198	131	530	0	0	661	19	0	0	0	19	53	122	0	0	175	1053
07:45 AM	215	0	0	0	215	95	468	0	0	563	6	0	0	0	6	52	118	0	0	170	954
Total	844	0	0	0	844	388	2021	0	0	2409	59	0	0	0	59	185	399	0	0	584	3896
08:00 AM	232	0	0	0	232	117	482	0	0	599	17	0	0	0	17	52	129	0	0	181	1029
08:15 AM	200	0	0	0	200	95	464	0	0	559	19	0	0	1	20	48	148	0	0	196	975
08:30 AM	197	0	0	1	198	99	423	0	3	525	11	0	0	0	11	35	112	0	0	147	881
08:45 AM	190	0	0	0	190	91	411	0	0	502	15	0	0	0	15	37	108	0	0	145	852
Total	819	0	0	1	820	402	1780	0	3	2185	62	0	0	1	63	172	497	0	0	669	3737
09:00 AM	196	0	0	0	196	112	408	0	0	520	8	0	0	0	8	45	140	0	0	185	909
09:15 AM	195	0	0	2	197	79	386	0	0	465	12	0	0	0	12	56	107	0	0	163	837
09:30 AM	180	0	0	0	180	119	397	0	0	516	11	0	0	0	11	58	91	0	0	149	856
09:45 AM	195	0	0	0	195	113	412	0	0	525	8	0	0	0	8	38	116	0	0	154	882
Total	766	0	0	2	768	423	1603	0	0	2026	39	0	0	0	39	197	454	0	0	651	3484
Grand Total	2429	0	0	3	2432	1213	5404	0	3	6620	160	0	0	1	161	554	1350	0	0	1904	11117
Apprch %	99.9	0	0	0.1		18.3	81.6	0	0		99.4	0	0	0.6		29.1	70.9	0	0		
Total %	21.8	0	0	0	21.9	10.9	48.6	0	0	59.5	1.4	0	0	0	1.4	5	12.1	0	0	17.1	

Start Time	I-680 SB RAMPS Southbound				MONTAGUE EXPY Westbound				I-680 SB RAMPS Northbound				MONTAGUE EXPY Eastbound				Int. Total
	Right	Thru	Left	App. Total	Right	Thru	Left	App. Total	Right	Thru	Left	App. Total	Right	Thru	Left	App. Total	
Peak Hour Analysis From 07:00 AM to 09:45 AM - Peak 1 of 1																	
Peak Hour for Entire Intersection Begins at 07:30 AM																	
07:30 AM	198	0	0	198	131	530	0	661	19	0	0	19	53	122	0	175	1053
07:45 AM	215	0	0	215	95	468	0	563	6	0	0	6	52	118	0	170	954
08:00 AM	232	0	0	232	117	482	0	599	17	0	0	17	52	129	0	181	1029
08:15 AM	200	0	0	200	95	464	0	559	19	0	0	19	48	148	0	196	974
Total Volume	845	0	0	845	438	1944	0	2382	61	0	0	61	205	517	0	722	4010
% App. Total	100	0	0		18.4	81.6	0		100	0	0		28.4	71.6	0		
PHF	.911	.000	.000	.911	.836	.917	.000	.901	.803	.000	.000	.803	.967	.873	.000	.921	.952

Traffic Data Service

Campbell, CA
 (408) 377-2988
 tdsbay@cs.com

File Name : 3AM FINAL
 Site Code : 00000003
 Start Date : 3/4/2015
 Page No : 2



Traffic Data Service

Campbell, CA
(408) 377-2988
tdsbay@cs.com

File Name : 3PM FINAL
Site Code : 00000003
Start Date : 3/4/2015
Page No : 1

Groups Printed- Vehicles

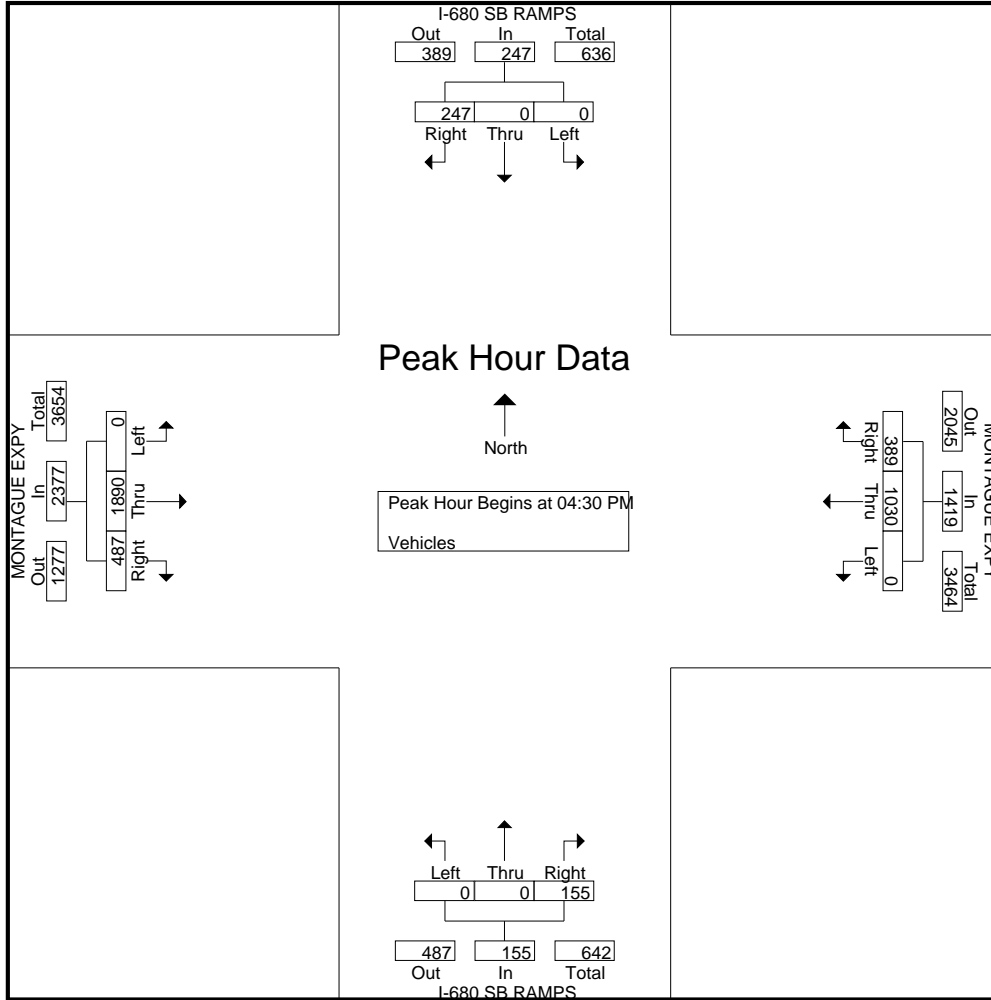
Start Time	I-680 SB RAMPS Southbound					MONTAGUE EXPY Westbound					I-680 SB RAMPS Northbound					MONTAGUE EXPY Eastbound					Int. Total
	Right	Thru	Left	Peds	App. Total	Right	Thru	Left	Peds	App. Total	Right	Thru	Left	Peds	App. Total	Right	Thru	Left	Peds	App. Total	
04:00 PM	53	0	0	0	53	107	220	0	0	327	34	0	0	0	34	198	365	0	0	563	977
04:15 PM	68	0	0	0	68	78	204	0	0	282	43	0	0	0	43	150	452	0	0	602	995
04:30 PM	57	0	0	0	57	133	245	0	0	378	27	0	0	0	27	193	510	0	0	703	1165
04:45 PM	62	0	0	0	62	81	276	0	0	357	57	0	0	0	57	92	418	0	0	510	986
Total	240	0	0	0	240	399	945	0	0	1344	161	0	0	0	161	633	1745	0	0	2378	4123
05:00 PM	68	0	0	0	68	95	234	0	0	329	48	0	0	0	48	94	493	0	0	587	1032
05:15 PM	60	0	0	0	60	80	275	0	0	355	23	0	0	0	23	108	469	0	0	577	1015
05:30 PM	59	0	0	0	59	93	225	0	0	318	34	0	0	0	34	109	417	0	0	526	937
05:45 PM	68	0	0	0	68	59	244	0	0	303	49	0	0	1	50	115	460	0	0	575	996
Total	255	0	0	0	255	327	978	0	0	1305	154	0	0	1	155	426	1839	0	0	2265	3980
06:00 PM	90	0	0	0	90	106	237	0	0	343	38	0	0	0	38	137	490	0	0	627	1098
06:15 PM	59	0	0	0	59	66	235	0	0	301	33	0	0	0	33	105	500	0	0	605	998
06:30 PM	54	0	0	0	54	89	202	0	0	291	27	0	0	0	27	138	467	0	0	605	977
06:45 PM	80	0	0	0	80	63	221	0	0	284	28	0	0	0	28	131	413	0	11	555	947
Total	283	0	0	0	283	324	895	0	0	1219	126	0	0	0	126	511	1870	0	11	2392	4020
Grand Total	778	0	0	0	778	1050	2818	0	0	3868	441	0	0	1	442	1570	5454	0	11	7035	12123
Apprch %	100	0	0	0		27.1	72.9	0	0		99.8	0	0	0.2		22.3	77.5	0	0.2		
Total %	6.4	0	0	0	6.4	8.7	23.2	0	0	31.9	3.6	0	0	0	3.6	13	45	0	0.1	58	

Start Time	I-680 SB RAMPS Southbound				MONTAGUE EXPY Westbound				I-680 SB RAMPS Northbound				MONTAGUE EXPY Eastbound				Int. Total
	Right	Thru	Left	App. Total	Right	Thru	Left	App. Total	Right	Thru	Left	App. Total	Right	Thru	Left	App. Total	
Peak Hour Analysis From 04:00 PM to 06:45 PM - Peak 1 of 1																	
Peak Hour for Entire Intersection Begins at 04:30 PM																	
04:30 PM	57	0	0	57	133	245	0	378	27	0	0	27	193	510	0	703	1165
04:45 PM	62	0	0	62	81	276	0	357	57	0	0	57	92	418	0	510	986
05:00 PM	68	0	0	68	95	234	0	329	48	0	0	48	94	493	0	587	1032
05:15 PM	60	0	0	60	80	275	0	355	23	0	0	23	108	469	0	577	1015
Total Volume	247	0	0	247	389	1030	0	1419	155	0	0	155	487	1890	0	2377	4198
% App. Total	100	0	0		27.4	72.6	0		100	0	0		20.5	79.5	0		
PHF	.908	.000	.000	.908	.731	.933	.000	.938	.680	.000	.000	.680	.631	.926	.000	.845	.901

Traffic Data Service

Campbell, CA
 (408) 377-2988
idsbay@cs.com

File Name : 3PM FINAL
 Site Code : 00000003
 Start Date : 3/4/2015
 Page No : 2



Traffic Data Service

Campbell, CA
 (408) 377-2988
 tdsbay@cs.com

File Name : 4AM FINAL
 Site Code : 00000004
 Start Date : 3/10/2015
 Page No : 1

Groups Printed- Vehicles

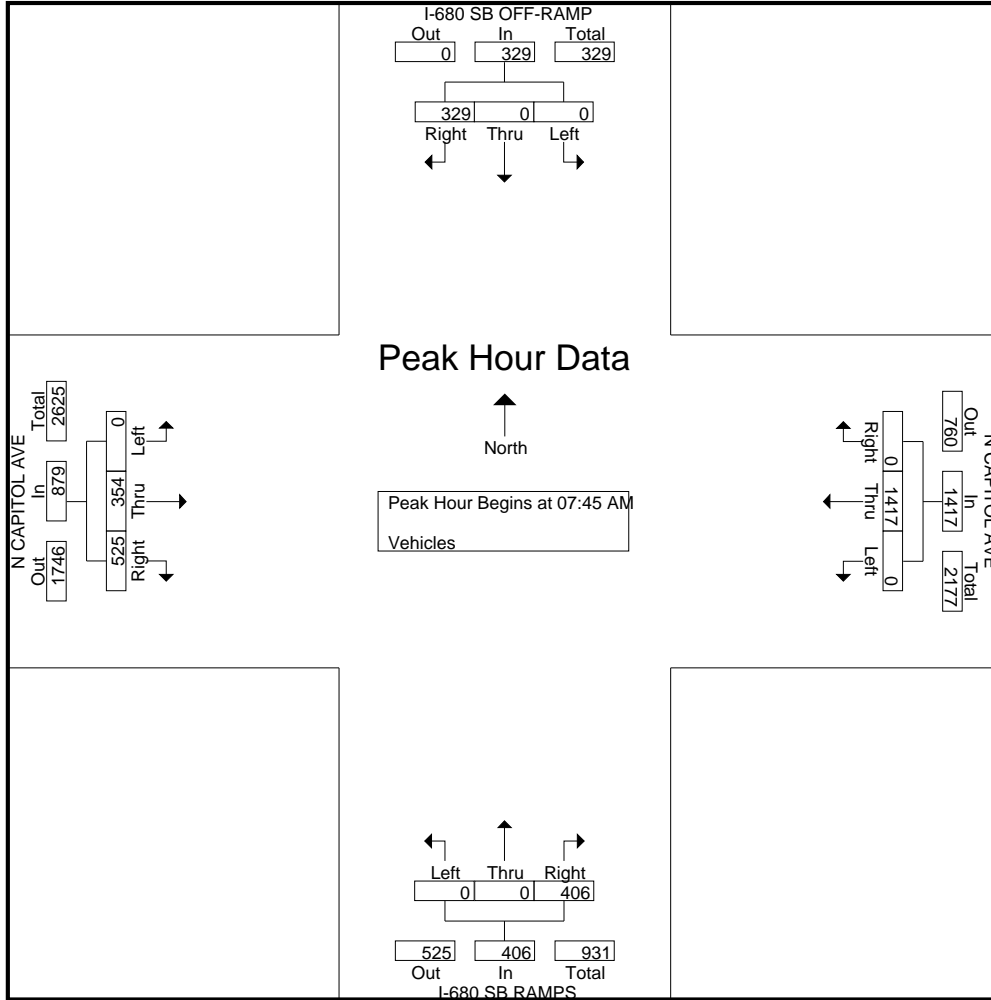
Start Time	I-680 SB OFF-RAMP Southbound					N CAPITOL AVE Westbound					I-680 SB RAMPS Northbound					N CAPITOL AVE Eastbound					Int. Total
	Right	Thru	Left	Peds	App. Total	Right	Thru	Left	Peds	App. Total	Right	Thru	Left	Peds	App. Total	Right	Thru	Left	Peds	App. Total	
07:00 AM	20	0	0	0	20	0	223	0	0	223	57	0	0	0	57	124	52	0	0	176	476
07:15 AM	41	0	0	1	42	0	287	0	0	287	50	0	0	0	50	78	51	0	0	129	508
07:30 AM	37	0	0	0	37	0	340	0	0	340	86	0	0	1	87	96	79	0	0	175	639
07:45 AM	69	0	0	0	69	0	404	0	0	404	127	0	0	0	127	135	83	0	0	218	818
Total	167	0	0	1	168	0	1254	0	0	1254	320	0	0	1	321	433	265	0	0	698	2441
08:00 AM	70	0	0	0	70	0	389	0	0	389	91	0	0	0	91	175	135	0	0	310	860
08:15 AM	95	0	0	0	95	0	291	0	0	291	77	0	0	1	78	106	74	0	0	180	644
08:30 AM	95	0	0	0	95	0	333	0	0	333	111	0	0	0	111	109	62	0	0	171	710
08:45 AM	117	0	0	0	117	0	277	0	0	277	115	0	0	0	115	98	55	0	0	153	662
Total	377	0	0	0	377	0	1290	0	0	1290	394	0	0	1	395	488	326	0	0	814	2876
09:00 AM	104	0	0	1	105	0	259	0	0	259	149	0	0	0	149	106	81	0	0	187	700
09:15 AM	106	0	0	0	106	0	214	0	0	214	117	0	0	0	117	74	84	0	0	158	595
09:30 AM	90	0	0	0	90	0	241	0	0	241	118	0	0	1	119	85	87	0	0	172	622
09:45 AM	88	0	0	0	88	0	221	0	0	221	121	0	0	1	122	71	84	0	0	155	586
Total	388	0	0	1	389	0	935	0	0	935	505	0	0	2	507	336	336	0	0	672	2503
Grand Total	932	0	0	2	934	0	3479	0	0	3479	1219	0	0	4	1223	1257	927	0	0	2184	7820
Apprch %	99.8	0	0	0.2		0	100	0	0		99.7	0	0	0.3		57.6	42.4	0	0		
Total %	11.9	0	0	0	11.9	0	44.5	0	0	44.5	15.6	0	0	0.1	15.6	16.1	11.9	0	0	27.9	

Start Time	I-680 SB OFF-RAMP Southbound				N CAPITOL AVE Westbound				I-680 SB RAMPS Northbound				N CAPITOL AVE Eastbound				Int. Total
	Right	Thru	Left	App. Total	Right	Thru	Left	App. Total	Right	Thru	Left	App. Total	Right	Thru	Left	App. Total	
Peak Hour Analysis From 07:00 AM to 09:45 AM - Peak 1 of 1																	
Peak Hour for Entire Intersection Begins at 07:45 AM																	
07:45 AM	69	0	0	69	0	404	0	404	127	0	0	127	135	83	0	218	818
08:00 AM	70	0	0	70	0	389	0	389	91	0	0	91	175	135	0	310	860
08:15 AM	95	0	0	95	0	291	0	291	77	0	0	77	106	74	0	180	643
08:30 AM	95	0	0	95	0	333	0	333	111	0	0	111	109	62	0	171	710
Total Volume	329	0	0	329	0	1417	0	1417	406	0	0	406	525	354	0	879	3031
% App. Total	100	0	0		0	100	0		100	0	0		59.7	40.3	0		
PHF	.866	.000	.000	.866	.000	.877	.000	.877	.799	.000	.000	.799	.750	.656	.000	.709	.881

Traffic Data Service

Campbell, CA
 (408) 377-2988
 tdsbay@cs.com

File Name : 4AM FINAL
 Site Code : 00000004
 Start Date : 3/10/2015
 Page No : 2



Traffic Data Service

Campbell, CA
 (408) 377-2988
 tdsbay@cs.com

File Name : 4PM FINAL
 Site Code : 00000004
 Start Date : 3/10/2015
 Page No : 1

Groups Printed- Vehicles

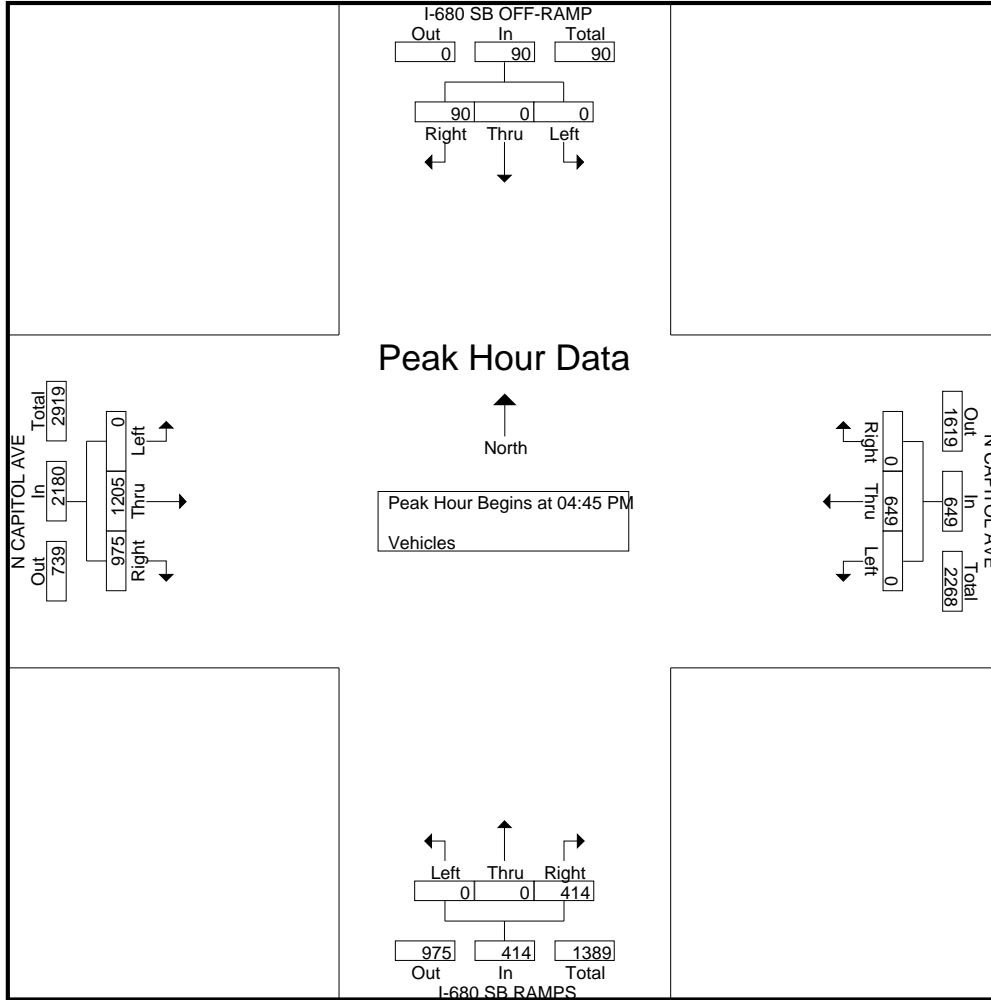
Start Time	I-680 SB OFF-RAMP Southbound					N CAPITOL AVE Westbound					I-680 SB RAMPS Northbound					N CAPITOL AVE Eastbound					Int. Total
	Right	Thru	Left	Peds	App. Total	Right	Thru	Left	Peds	App. Total	Right	Thru	Left	Peds	App. Total	Right	Thru	Left	Peds	App. Total	
04:00 PM	25	0	0	0	25	0	136	0	0	136	108	0	0	0	108	232	221	0	0	453	722
04:15 PM	20	0	0	1	21	0	147	0	0	147	94	0	0	1	95	236	235	0	0	471	734
04:30 PM	34	0	0	0	34	0	164	0	0	164	97	0	0	1	98	236	210	0	0	446	742
04:45 PM	28	0	0	0	28	0	159	0	0	159	110	0	0	1	111	232	287	0	0	519	817
Total	107	0	0	1	108	0	606	0	0	606	409	0	0	3	412	936	953	0	0	1889	3015
05:00 PM	21	0	0	0	21	0	157	0	0	157	86	0	0	0	86	240	301	0	0	541	805
05:15 PM	18	0	0	0	18	0	156	0	0	156	123	0	0	3	126	260	287	0	0	547	847
05:30 PM	23	0	0	0	23	0	177	0	0	177	95	0	0	1	96	243	330	0	0	573	869
05:45 PM	26	0	0	0	26	0	151	0	0	151	116	0	0	1	117	222	289	0	0	511	805
Total	88	0	0	0	88	0	641	0	0	641	420	0	0	5	425	965	1207	0	0	2172	3326
06:00 PM	32	0	0	1	33	0	154	0	0	154	126	0	0	1	127	202	294	0	1	497	811
06:15 PM	38	0	0	0	38	0	173	0	0	173	96	0	0	1	97	222	263	0	0	485	793
06:30 PM	31	0	0	0	31	0	169	0	0	169	89	0	0	0	89	179	221	0	1	401	690
06:45 PM	28	0	0	0	28	0	167	0	0	167	100	0	0	0	100	168	225	0	0	393	688
Total	129	0	0	1	130	0	663	0	0	663	411	0	0	2	413	771	1003	0	2	1776	2982
Grand Total	324	0	0	2	326	0	1910	0	0	1910	1240	0	0	10	1250	2672	3163	0	2	5837	9323
Apprch %	99.4	0	0	0.6		0	100	0	0		99.2	0	0	0.8		45.8	54.2	0	0		
Total %	3.5	0	0	0	3.5	0	20.5	0	0	20.5	13.3	0	0	0.1	13.4	28.7	33.9	0	0	62.6	

Start Time	I-680 SB OFF-RAMP Southbound				N CAPITOL AVE Westbound				I-680 SB RAMPS Northbound				N CAPITOL AVE Eastbound				Int. Total
	Right	Thru	Left	App. Total	Right	Thru	Left	App. Total	Right	Thru	Left	App. Total	Right	Thru	Left	App. Total	
Peak Hour Analysis From 04:00 PM to 06:45 PM - Peak 1 of 1																	
Peak Hour for Entire Intersection Begins at 04:45 PM																	
04:45 PM	28	0	0	28	0	159	0	159	110	0	0	110	232	287	0	519	816
05:00 PM	21	0	0	21	0	157	0	157	86	0	0	86	240	301	0	541	805
05:15 PM	18	0	0	18	0	156	0	156	123	0	0	123	260	287	0	547	844
05:30 PM	23	0	0	23	0	177	0	177	95	0	0	95	243	330	0	573	868
Total Volume	90	0	0	90	0	649	0	649	414	0	0	414	975	1205	0	2180	3333
% App. Total	100	0	0		0	100	0		100	0	0		44.7	55.3	0		
PHF	.804	.000	.000	.804	.000	.917	.000	.917	.841	.000	.000	.841	.938	.913	.000	.951	.960

Traffic Data Service

Campbell, CA
 (408) 377-2988
idsbay@cs.com

File Name : 4PM FINAL
 Site Code : 00000004
 Start Date : 3/10/2015
 Page No : 2



Traffic Data Service

Campbell, CA
 (408) 377-2988
 tdsbay@cs.com

File Name : 5AM FINAL
 Site Code : 00000005
 Start Date : 3/5/2015
 Page No : 1

Groups Printed- Vehicles

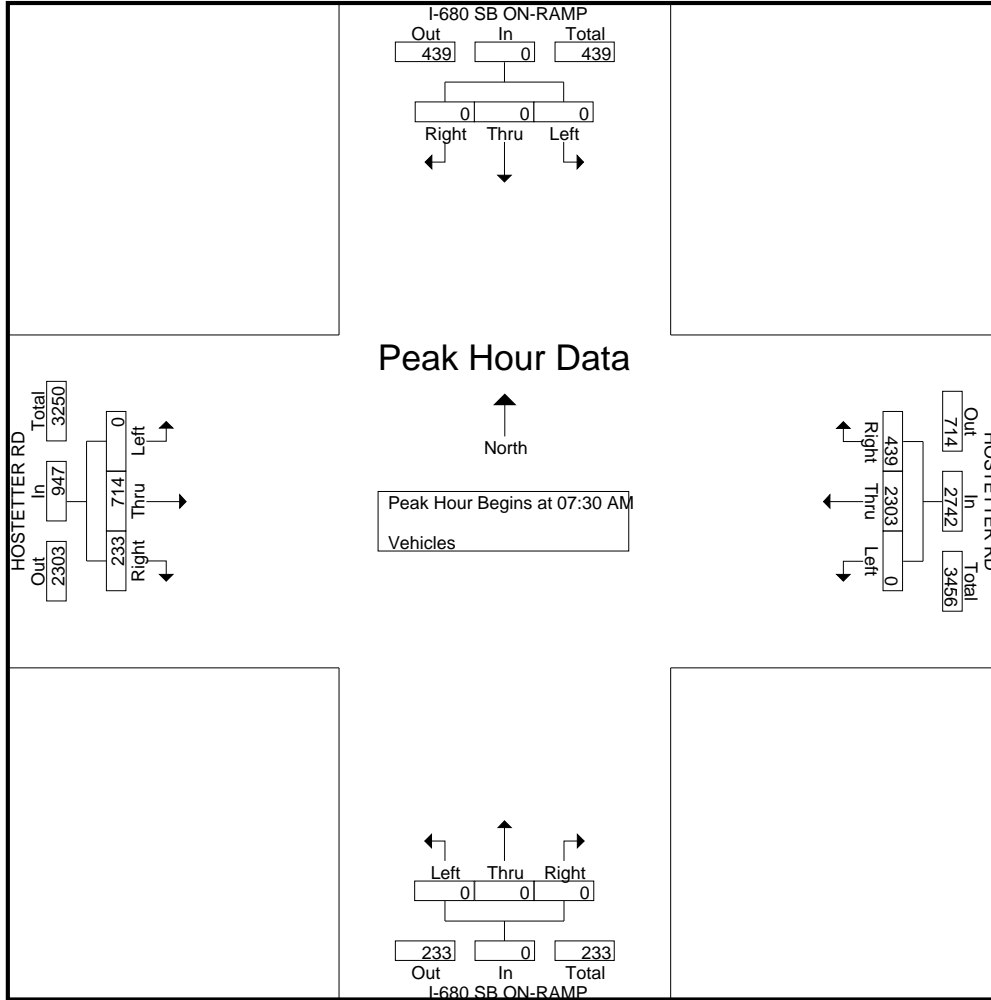
Start Time	I-680 SB ON-RAMP Southbound					HOSTETTER RD Westbound					I-680 SB ON-RAMP Northbound					HOSTETTER RD Eastbound					Int. Total
	Right	Thru	Left	Peds	App. Total	Right	Thru	Left	Peds	App. Total	Right	Thru	Left	Peds	App. Total	Right	Thru	Left	Peds	App. Total	
07:00 AM	0	0	0	0	0	65	433	0	0	498	0	0	0	0	0	64	118	0	0	182	680
07:15 AM	0	0	0	0	0	72	536	0	0	608	0	0	0	0	0	51	142	0	0	193	801
07:30 AM	0	0	0	4	4	111	580	0	0	691	0	0	0	1	1	66	225	0	0	291	987
07:45 AM	0	0	0	0	0	99	610	0	0	709	0	0	0	0	0	64	172	0	0	236	945
Total	0	0	0	4	4	347	2159	0	0	2506	0	0	0	1	1	245	657	0	0	902	3413
08:00 AM	0	0	0	0	0	122	577	0	0	699	0	0	0	0	0	56	185	0	0	241	940
08:15 AM	0	0	0	1	1	107	536	0	0	643	0	0	0	0	0	47	132	0	0	179	823
08:30 AM	0	0	0	1	1	90	571	0	0	661	0	0	0	0	0	70	93	0	0	163	825
08:45 AM	0	0	0	4	4	80	549	0	0	629	0	0	0	0	0	70	138	0	0	208	841
Total	0	0	0	6	6	399	2233	0	0	2632	0	0	0	0	0	243	548	0	0	791	3429
09:00 AM	0	0	0	2	2	76	515	0	0	591	0	0	0	3	3	67	92	0	0	159	755
09:15 AM	0	0	0	4	4	17	535	0	0	552	0	0	0	1	1	68	98	0	0	166	723
09:30 AM	0	0	0	3	3	0	520	0	0	520	0	0	0	1	1	137	96	0	0	233	757
09:45 AM	0	0	0	0	0	0	522	0	0	522	0	0	0	2	2	106	100	0	0	206	730
Total	0	0	0	9	9	93	2092	0	0	2185	0	0	0	7	7	378	386	0	0	764	2965
Grand Total	0	0	0	19	19	839	6484	0	0	7323	0	0	0	8	8	866	1591	0	0	2457	9807
Apprch %	0	0	0	100		11.5	88.5	0	0		0	0	0	100		35.2	64.8	0	0		
Total %	0	0	0	0.2	0.2	8.6	66.1	0	0	74.7	0	0	0	0.1	0.1	8.8	16.2	0	0	25.1	

Start Time	I-680 SB ON-RAMP Southbound					HOSTETTER RD Westbound					I-680 SB ON-RAMP Northbound					HOSTETTER RD Eastbound					Int. Total
	Right	Thru	Left	Peds	App. Total	Right	Thru	Left	Peds	App. Total	Right	Thru	Left	Peds	App. Total	Right	Thru	Left	Peds	App. Total	
Peak Hour Analysis From 07:00 AM to 09:45 AM - Peak 1 of 1																					
Peak Hour for Entire Intersection Begins at 07:30 AM																					
07:30 AM	0	0	0	0	0	111	580	0	0	691	0	0	0	0	0	66	225	0	0	291	982
07:45 AM	0	0	0	0	0	99	610	0	0	709	0	0	0	0	0	64	172	0	0	236	945
08:00 AM	0	0	0	0	0	122	577	0	0	699	0	0	0	0	0	56	185	0	0	241	940
08:15 AM	0	0	0	0	0	107	536	0	0	643	0	0	0	0	0	47	132	0	0	179	822
Total Volume	0	0	0	0	0	439	2303	0	0	2742	0	0	0	0	0	233	714	0	0	947	3689
% App. Total	0	0	0	0		16	84	0	0		0	0	0	0		24.6	75.4	0	0		
PHF	.000	.000	.000	.000	.000	.900	.944	.000	.967	.000	.000	.000	.000	.000	.883	.793	.000	.814	.939		

Traffic Data Service

Campbell, CA
 (408) 377-2988
idsbay@cs.com

File Name : 5AM FINAL
 Site Code : 00000005
 Start Date : 3/5/2015
 Page No : 2



Traffic Data Service

Campbell, CA
(408) 377-2988
tdsbay@cs.com

File Name : 5PM FINAL
Site Code : 00000005
Start Date : 3/5/2015
Page No : 1

Groups Printed- Vehicles

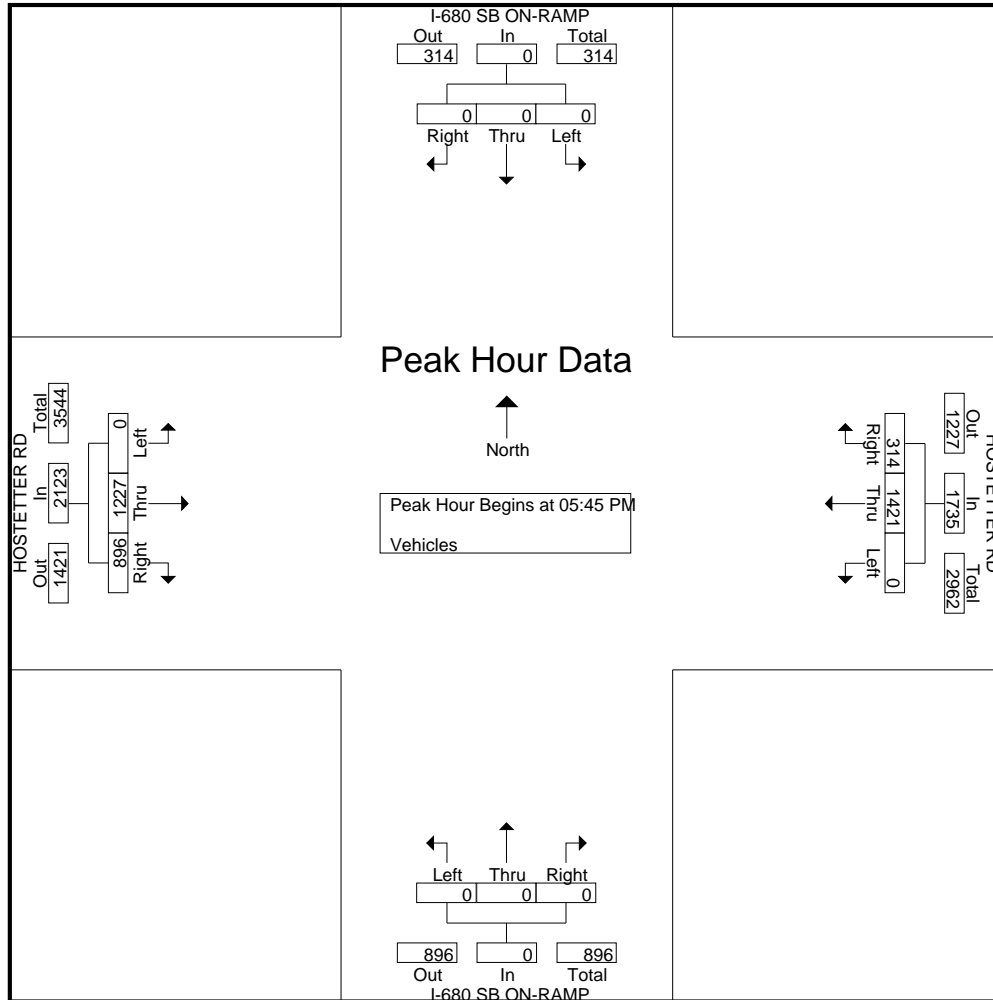
Start Time	I-680 SB ON-RAMP Southbound					HOSTETTER RD Westbound					I-680 SB ON-RAMP Northbound					HOSTETTER RD Eastbound					Int. Total
	Right	Thru	Left	Peds	App. Total	Right	Thru	Left	Peds	App. Total	Right	Thru	Left	Peds	App. Total	Right	Thru	Left	Peds	App. Total	
04:00 PM	0	0	0	0	0	52	281	0	0	333	0	0	0	0	0	249	253	0	0	502	835
04:15 PM	0	0	0	0	0	69	321	0	0	390	0	0	0	0	0	226	242	0	0	468	858
04:30 PM	0	0	0	0	0	59	271	0	0	330	0	0	0	0	0	285	291	0	0	576	906
04:45 PM	0	0	0	7	7	59	307	0	0	366	0	0	0	0	0	275	285	0	0	560	933
Total	0	0	0	7	7	239	1180	0	0	1419	0	0	0	0	0	1035	1071	0	0	2106	3532
05:00 PM	0	0	0	2	2	113	274	0	0	387	0	0	0	0	0	291	258	0	0	549	938
05:15 PM	0	0	0	2	2	88	308	0	0	396	0	0	0	0	0	241	300	0	0	541	939
05:30 PM	0	0	0	1	1	89	280	0	0	369	0	0	0	0	0	224	315	0	0	539	909
05:45 PM	0	0	0	2	2	77	324	0	0	401	0	0	0	0	0	223	293	0	0	516	919
Total	0	0	0	7	7	367	1186	0	0	1553	0	0	0	0	0	979	1166	0	0	2145	3705
06:00 PM	0	0	0	1	1	89	373	0	0	462	0	0	0	0	0	192	287	0	0	479	942
06:15 PM	0	0	0	5	5	74	355	0	0	429	0	0	0	0	0	224	322	0	0	546	980
06:30 PM	0	0	0	3	3	74	369	0	0	443	0	0	0	0	0	257	325	0	0	582	1028
06:45 PM	0	0	0	0	0	68	294	0	0	362	0	0	0	0	0	221	292	0	0	513	875
Total	0	0	0	9	9	305	1391	0	0	1696	0	0	0	0	0	894	1226	0	0	2120	3825
Grand Total	0	0	0	23	23	911	3757	0	0	4668	0	0	0	0	0	2908	3463	0	0	6371	11062
Apprch %	0	0	0	100		19.5	80.5	0	0		0	0	0	0		45.6	54.4	0	0		
Total %	0	0	0	0.2	0.2	8.2	34	0	0	42.2	0	0	0	0	0	26.3	31.3	0	0	57.6	

Start Time	I-680 SB ON-RAMP Southbound				HOSTETTER RD Westbound				I-680 SB ON-RAMP Northbound				HOSTETTER RD Eastbound				Int. Total
	Right	Thru	Left	App. Total	Right	Thru	Left	App. Total	Right	Thru	Left	App. Total	Right	Thru	Left	App. Total	
Peak Hour Analysis From 04:00 PM to 06:45 PM - Peak 1 of 1																	
Peak Hour for Entire Intersection Begins at 05:45 PM																	
05:45 PM	0	0	0	0	77	324	0	401	0	0	0	0	223	293	0	516	917
06:00 PM	0	0	0	0	89	373	0	462	0	0	0	0	192	287	0	479	941
06:15 PM	0	0	0	0	74	355	0	429	0	0	0	0	224	322	0	546	975
06:30 PM	0	0	0	0	74	369	0	443	0	0	0	0	257	325	0	582	1025
Total Volume	0	0	0	0	314	1421	0	1735	0	0	0	0	896	1227	0	2123	3858
% App. Total	0	0	0		18.1	81.9	0		0	0	0		42.2	57.8	0		
PHF	.000	.000	.000	.000	.882	.952	.000	.939	.000	.000	.000	.000	.872	.944	.000	.912	.941

Traffic Data Service

Campbell, CA
 (408) 377-2988
idsbay@cs.com

File Name : 5PM FINAL
 Site Code : 00000005
 Start Date : 3/5/2015
 Page No : 2



Traffic Data Service

Campbell, CA
(408) 377-2988
tdsbay@cs.com

File Name : 6AM FINAL
Site Code : 00000006
Start Date : 3/5/2015
Page No : 1

Groups Printed- Vehicles

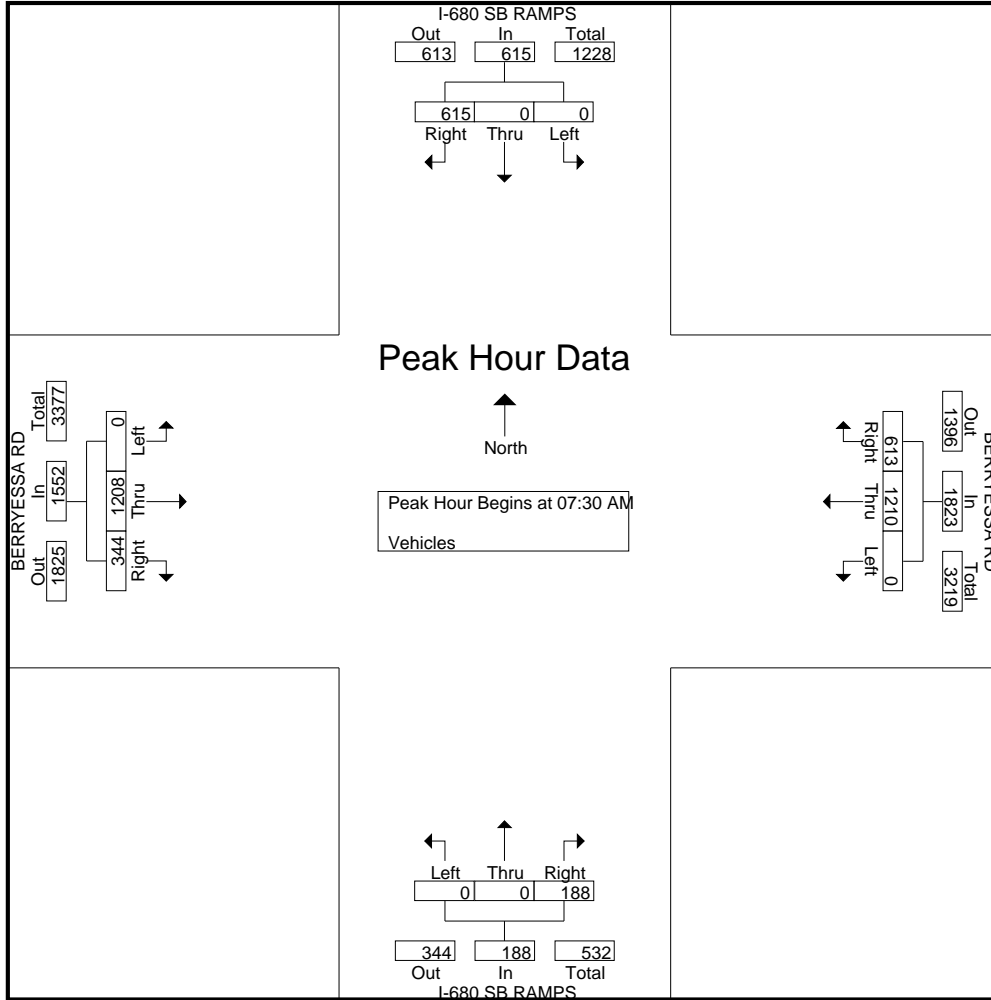
Start Time	I-680 SB RAMPS Southbound					BERRYESSA RD Westbound					I-680 SB RAMPS Northbound					BERRYESSA RD Eastbound					Int. Total
	Right	Thru	Left	Peds	App. Total	Right	Thru	Left	Peds	App. Total	Right	Thru	Left	Peds	App. Total	Right	Thru	Left	Peds	App. Total	
07:00 AM	145	0	0	1	146	112	240	0	0	352	30	0	0	0	30	73	166	0	0	239	767
07:15 AM	95	0	0	1	96	159	244	0	0	403	35	0	0	0	35	80	254	0	0	334	868
07:30 AM	129	0	0	1	130	141	273	0	0	414	39	0	0	0	39	95	357	0	0	452	1035
07:45 AM	186	0	0	2	188	163	331	0	0	494	51	0	0	0	51	87	301	0	0	388	1121
Total	555	0	0	5	560	575	1088	0	0	1663	155	0	0	0	155	335	1078	0	0	1413	3791
08:00 AM	152	0	0	2	154	164	307	0	1	472	50	0	0	1	51	80	272	0	0	352	1029
08:15 AM	148	0	0	0	148	145	299	0	0	444	48	0	0	2	50	82	278	0	0	360	1002
08:30 AM	120	0	0	3	123	149	259	0	0	408	45	0	0	0	45	81	173	0	0	254	830
08:45 AM	147	0	0	0	147	124	255	0	0	379	50	0	0	0	50	73	172	0	0	245	821
Total	567	0	0	5	572	582	1120	0	1	1703	193	0	0	3	196	316	895	0	0	1211	3682
09:00 AM	105	0	0	1	106	139	218	0	0	357	47	0	0	1	48	70	156	0	0	226	737
09:15 AM	117	0	0	2	119	112	230	0	0	342	43	0	0	2	45	58	157	0	0	215	721
09:30 AM	116	0	0	0	116	144	194	0	0	338	41	0	0	0	41	70	155	0	0	225	720
09:45 AM	112	0	0	3	115	119	163	0	0	282	52	0	0	0	52	71	175	0	0	246	695
Total	450	0	0	6	456	514	805	0	0	1319	183	0	0	3	186	269	643	0	0	912	2873
Grand Total	1572	0	0	16	1588	1671	3013	0	1	4685	531	0	0	6	537	920	2616	0	0	3536	10346
Apprch %	99	0	0	1		35.7	64.3	0	0		98.9	0	0	1.1		26	74	0	0		
Total %	15.2	0	0	0.2	15.3	16.2	29.1	0	0	45.3	5.1	0	0	0.1	5.2	8.9	25.3	0	0	34.2	

Start Time	I-680 SB RAMPS Southbound				BERRYESSA RD Westbound				I-680 SB RAMPS Northbound				BERRYESSA RD Eastbound				Int. Total
	Right	Thru	Left	App. Total	Right	Thru	Left	App. Total	Right	Thru	Left	App. Total	Right	Thru	Left	App. Total	
Peak Hour Analysis From 07:00 AM to 09:45 AM - Peak 1 of 1																	
Peak Hour for Entire Intersection Begins at 07:30 AM																	
07:30 AM	129	0	0	129	141	273	0	414	39	0	0	39	95	357	0	452	1034
07:45 AM	186	0	0	186	163	331	0	494	51	0	0	51	87	301	0	388	1119
08:00 AM	152	0	0	152	164	307	0	471	50	0	0	50	80	272	0	352	1025
08:15 AM	148	0	0	148	145	299	0	444	48	0	0	48	82	278	0	360	1000
Total Volume	615	0	0	615	613	1210	0	1823	188	0	0	188	344	1208	0	1552	4178
% App. Total	100	0	0		33.6	66.4	0		100	0	0		22.2	77.8	0		
PHF	.827	.000	.000	.827	.934	.914	.000	.923	.922	.000	.000	.922	.905	.846	.000	.858	.933

Traffic Data Service

Campbell, CA
 (408) 377-2988
idsbay@cs.com

File Name : 6AM FINAL
 Site Code : 00000006
 Start Date : 3/5/2015
 Page No : 2



Traffic Data Service

Campbell, CA
(408) 377-2988
tdsbay@cs.com

File Name : 6PM FINAL
Site Code : 00000006
Start Date : 3/5/2015
Page No : 1

Groups Printed- Vehicles

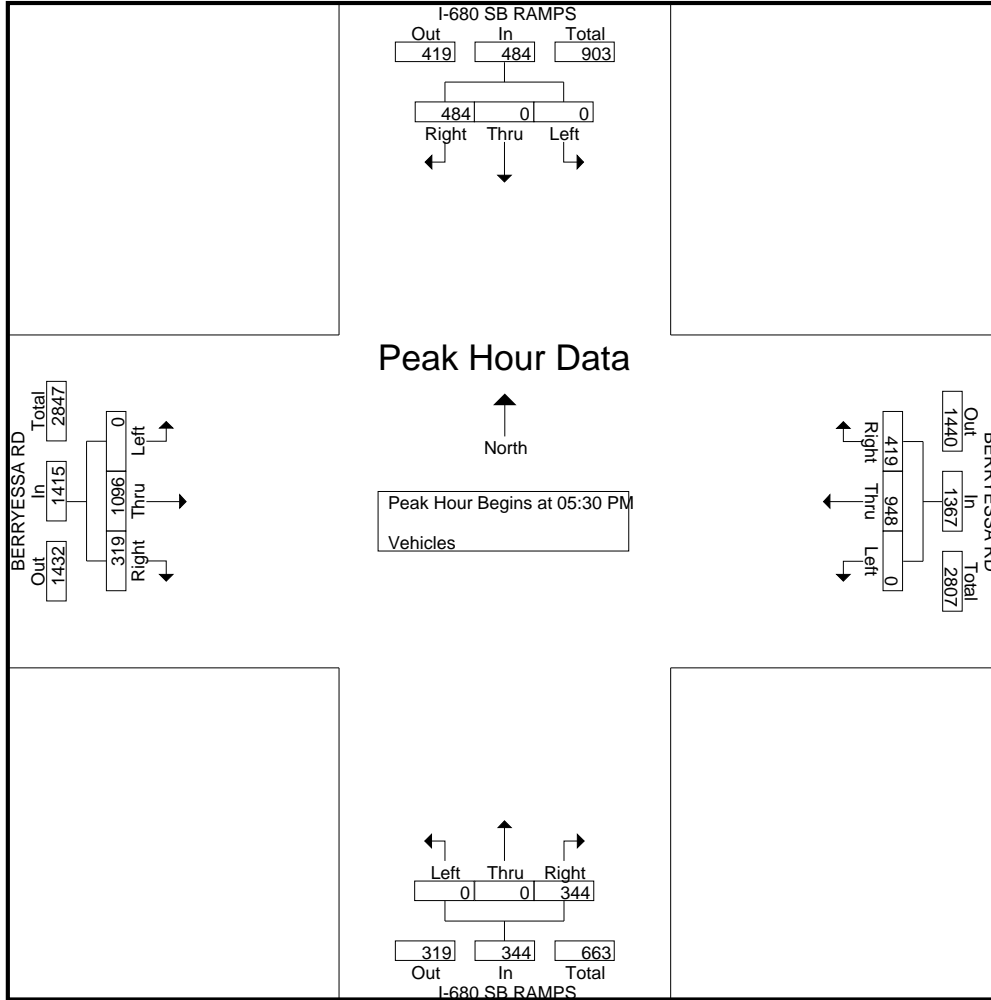
Start Time	I-680 SB RAMPS Southbound					BERRYESSA RD Westbound					I-680 SB RAMPS Northbound					BERRYESSA RD Eastbound					Int. Total
	Right	Thru	Left	Peds	App. Total	Right	Thru	Left	Peds	App. Total	Right	Thru	Left	Peds	App. Total	Right	Thru	Left	Peds	App. Total	
04:00 PM	120	0	0	1	121	104	198	0	0	302	101	0	0	2	103	81	239	0	0	320	846
04:15 PM	109	0	0	1	110	99	196	0	0	295	113	0	0	0	113	90	252	0	0	342	860
04:30 PM	118	0	0	3	121	117	235	0	0	352	97	0	0	2	99	91	246	0	0	337	909
04:45 PM	95	0	0	2	97	111	218	0	0	329	100	0	0	3	103	85	217	0	0	302	831
Total	442	0	0	7	449	431	847	0	0	1278	411	0	0	7	418	347	954	0	0	1301	3446
05:00 PM	110	0	0	6	116	106	206	0	0	312	101	0	0	0	101	66	279	0	0	345	874
05:15 PM	112	0	0	3	115	101	193	0	0	294	72	0	0	0	72	80	283	0	0	363	844
05:30 PM	103	0	0	2	105	118	247	0	0	365	83	0	0	1	84	82	276	0	0	358	912
05:45 PM	126	0	0	4	130	95	212	0	0	307	79	0	0	2	81	83	288	0	0	371	889
Total	451	0	0	15	466	420	858	0	0	1278	335	0	0	3	338	311	1126	0	0	1437	3519
06:00 PM	121	0	0	1	122	116	241	0	0	357	86	0	0	0	86	79	276	0	0	355	920
06:15 PM	134	0	0	2	136	90	248	0	0	338	96	0	0	0	96	75	256	0	0	331	901
06:30 PM	118	0	0	0	118	123	212	0	0	335	133	0	0	0	133	89	194	0	0	283	869
06:45 PM	98	0	0	1	99	103	208	0	0	311	122	0	0	0	122	103	177	0	0	280	812
Total	471	0	0	4	475	432	909	0	0	1341	437	0	0	0	437	346	903	0	0	1249	3502
Grand Total	1364	0	0	26	1390	1283	2614	0	0	3897	1183	0	0	10	1193	1004	2983	0	0	3987	10467
Apprch %	98.1	0	0	1.9		32.9	67.1	0	0		99.2	0	0	0.8		25.2	74.8	0	0		
Total %	13	0	0	0.2	13.3	12.3	25	0	0	37.2	11.3	0	0	0.1	11.4	9.6	28.5	0	0	38.1	

Start Time	I-680 SB RAMPS Southbound				BERRYESSA RD Westbound				I-680 SB RAMPS Northbound				BERRYESSA RD Eastbound				Int. Total
	Right	Thru	Left	App. Total	Right	Thru	Left	App. Total	Right	Thru	Left	App. Total	Right	Thru	Left	App. Total	
Peak Hour Analysis From 04:00 PM to 06:45 PM - Peak 1 of 1																	
Peak Hour for Entire Intersection Begins at 05:30 PM																	
05:30 PM	103	0	0	103	118	247	0	365	83	0	0	83	82	276	0	358	909
05:45 PM	126	0	0	126	95	212	0	307	79	0	0	79	83	288	0	371	883
06:00 PM	121	0	0	121	116	241	0	357	86	0	0	86	79	276	0	355	919
06:15 PM	134	0	0	134	90	248	0	338	96	0	0	96	75	256	0	331	899
Total Volume	484	0	0	484	419	948	0	1367	344	0	0	344	319	1096	0	1415	3610
% App. Total	100	0	0		30.7	69.3	0		100	0	0		22.5	77.5	0		
PHF	.903	.000	.000	.903	.888	.956	.000	.936	.896	.000	.000	.896	.961	.951	.000	.954	.982

Traffic Data Service

Campbell, CA
 (408) 377-2988
 tdsbay@cs.com

File Name : 6PM FINAL
 Site Code : 00000006
 Start Date : 3/5/2015
 Page No : 2



Traffic Data Service

Campbell, CA
 (408) 377-2988
 tdsbay@cs.com

File Name : 7AM FINAL
 Site Code : 00000007
 Start Date : 3/5/2015
 Page No : 1

Groups Printed- Vehicles

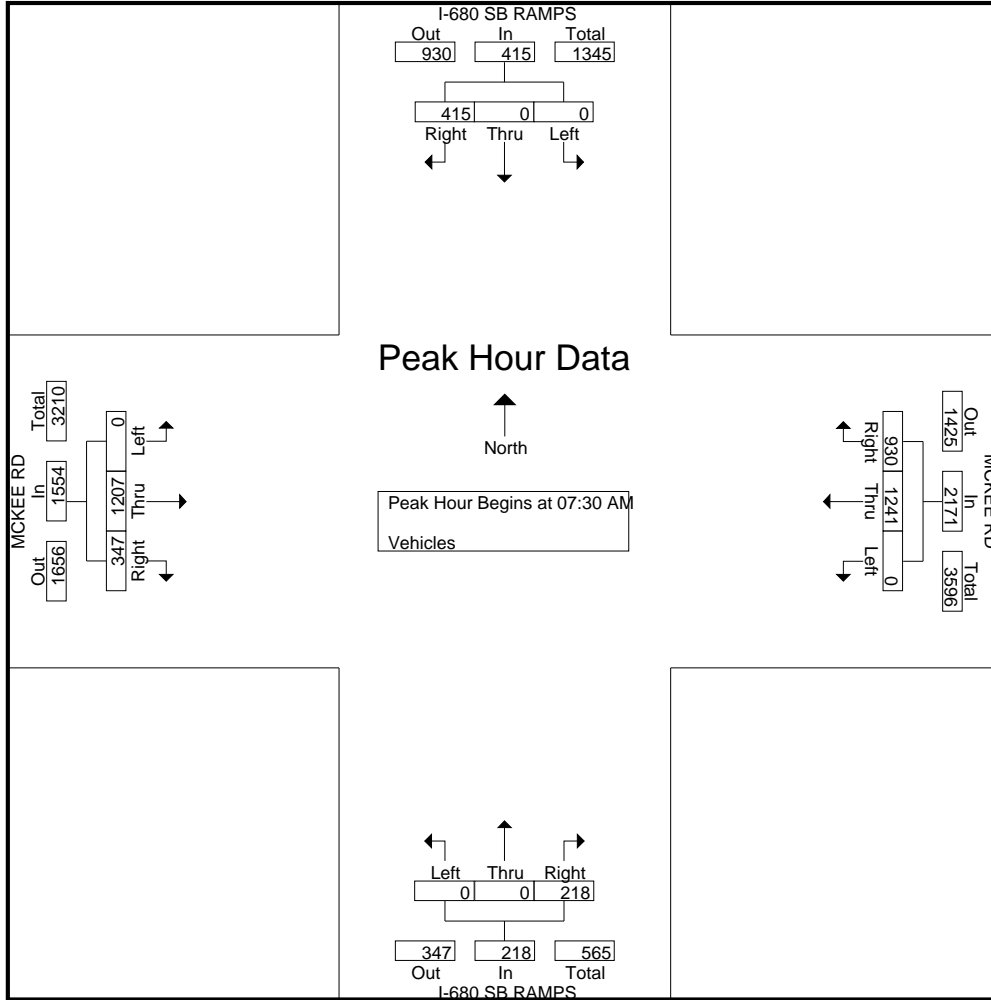
Start Time	I-680 SB RAMPS Southbound					MCKEE RD Westbound					I-680 SB RAMPS Northbound					MCKEE RD Eastbound					Int. Total
	Right	Thru	Left	Peds	App. Total	Right	Thru	Left	Peds	App. Total	Right	Thru	Left	Peds	App. Total	Right	Thru	Left	Peds	App. Total	
07:00 AM	82	0	0	1	83	255	274	0	0	529	32	0	0	2	34	77	172	0	0	249	895
07:15 AM	84	0	0	1	85	267	226	0	0	493	39	0	0	0	39	126	206	0	0	332	949
07:30 AM	65	0	0	0	65	282	272	0	0	554	52	0	0	4	56	84	294	0	0	378	1053
07:45 AM	103	0	0	7	110	216	295	0	0	511	57	0	0	5	62	94	348	0	0	442	1125
Total	334	0	0	9	343	1020	1067	0	0	2087	180	0	0	11	191	381	1020	0	0	1401	4022
08:00 AM	130	0	0	0	130	189	335	0	0	524	61	0	0	14	75	66	296	0	1	363	1092
08:15 AM	117	0	0	0	117	243	339	0	0	582	48	0	0	7	55	103	269	0	0	372	1126
08:30 AM	109	0	0	1	110	189	320	0	0	509	51	0	0	7	58	58	236	0	0	294	971
08:45 AM	110	0	0	0	110	190	325	0	0	515	41	0	0	0	41	62	202	1	0	265	931
Total	466	0	0	1	467	811	1319	0	0	2130	201	0	0	28	229	289	1003	1	1	1294	4120
09:00 AM	98	0	0	3	101	173	260	0	0	433	47	0	0	2	49	73	180	0	0	253	836
09:15 AM	84	0	0	6	90	171	233	0	0	404	48	0	0	1	49	63	188	0	0	251	794
09:30 AM	60	0	0	8	68	185	227	0	0	412	47	0	0	1	48	84	224	0	0	308	836
09:45 AM	81	0	0	5	86	196	241	0	0	437	57	0	0	2	59	79	191	0	0	270	852
Total	323	0	0	22	345	725	961	0	0	1686	199	0	0	6	205	299	783	0	0	1082	3318
Grand Total	1123	0	0	32	1155	2556	3347	0	0	5903	580	0	0	45	625	969	2806	1	1	3777	11460
Apprch %	97.2	0	0	2.8		43.3	56.7	0	0		92.8	0	0	7.2		25.7	74.3	0	0		
Total %	9.8	0	0	0.3	10.1	22.3	29.2	0	0	51.5	5.1	0	0	0.4	5.5	8.5	24.5	0	0	33	

Start Time	I-680 SB RAMPS Southbound				MCKEE RD Westbound				I-680 SB RAMPS Northbound				MCKEE RD Eastbound				Int. Total
	Right	Thru	Left	App. Total	Right	Thru	Left	App. Total	Right	Thru	Left	App. Total	Right	Thru	Left	App. Total	
Peak Hour Analysis From 07:00 AM to 09:45 AM - Peak 1 of 1																	
Peak Hour for Entire Intersection Begins at 07:30 AM																	
07:30 AM	65	0	0	65	282	272	0	554	52	0	0	52	84	294	0	378	1049
07:45 AM	103	0	0	103	216	295	0	511	57	0	0	57	94	348	0	442	1113
08:00 AM	130	0	0	130	189	335	0	524	61	0	0	61	66	296	0	362	1077
08:15 AM	117	0	0	117	243	339	0	582	48	0	0	48	103	269	0	372	1119
Total Volume	415	0	0	415	930	1241	0	2171	218	0	0	218	347	1207	0	1554	4358
% App. Total	100	0	0		42.8	57.2	0		100	0	0		22.3	77.7	0		
PHF	.798	.000	.000	.798	.824	.915	.000	.933	.893	.000	.000	.893	.842	.867	.000	.879	.974

Traffic Data Service

Campbell, CA
 (408) 377-2988
tdsbay@cs.com

File Name : 7AM FINAL
 Site Code : 00000007
 Start Date : 3/5/2015
 Page No : 2



Traffic Data Service

Campbell, CA
 (408) 377-2988
 tdsbay@cs.com

File Name : 7PM FINAL
 Site Code : 00000007
 Start Date : 3/5/2015
 Page No : 1

Groups Printed- Vehicles

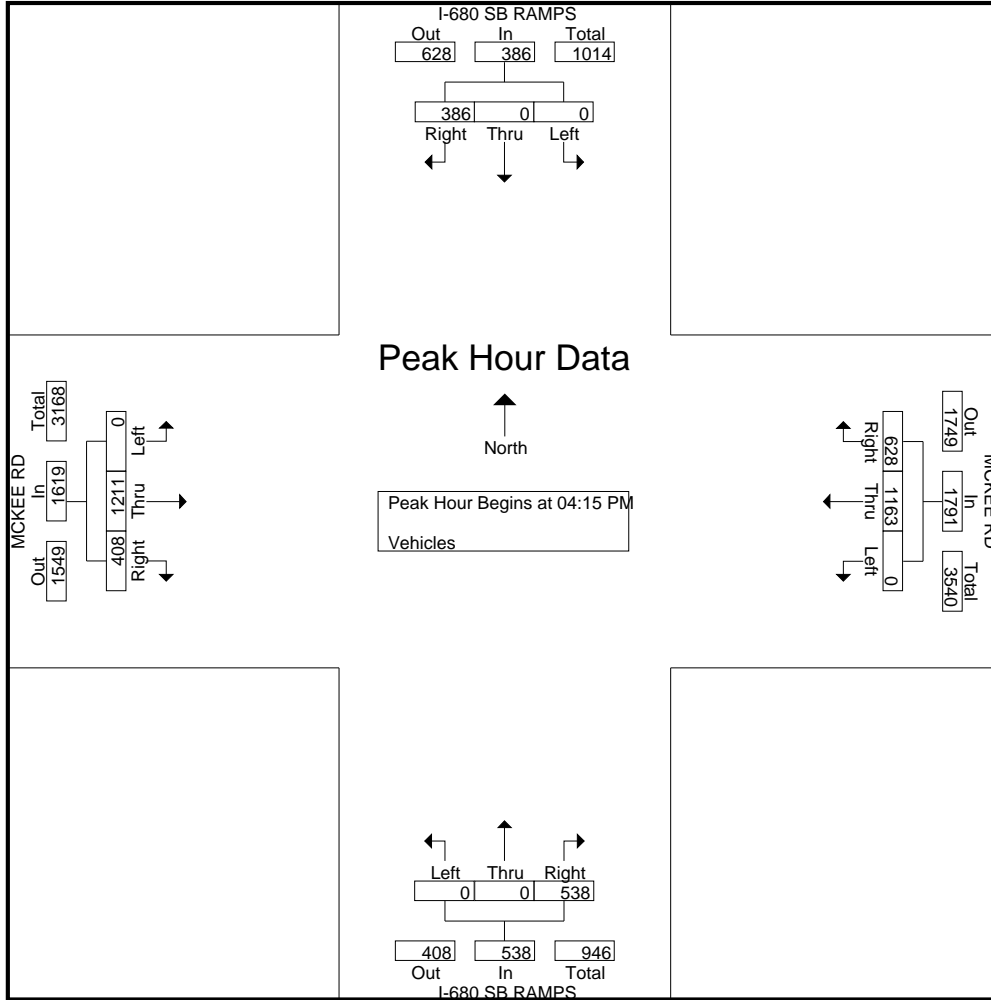
Start Time	I-680 SB RAMPS Southbound					MCKEE RD Westbound					I-680 SB RAMPS Northbound					MCKEE RD Eastbound					Int. Total
	Right	Thru	Left	Peds	App. Total	Right	Thru	Left	Peds	App. Total	Right	Thru	Left	Peds	App. Total	Right	Thru	Left	Peds	App. Total	
04:00 PM	93	0	0	14	107	164	284	0	0	448	135	0	0	2	137	98	296	0	0	394	1086
04:15 PM	93	0	0	6	99	156	276	0	0	432	142	0	0	3	145	101	290	0	0	391	1067
04:30 PM	83	0	0	8	91	171	277	0	0	448	132	0	0	3	135	91	284	0	0	375	1049
04:45 PM	108	0	0	15	123	157	303	0	0	460	130	0	0	3	133	98	300	0	0	398	1114
Total	377	0	0	43	420	648	1140	0	0	1788	539	0	0	11	550	388	1170	0	0	1558	4316
05:00 PM	102	0	0	11	113	144	307	0	0	451	134	0	0	2	136	118	337	0	0	455	1155
05:15 PM	69	0	0	7	76	155	252	0	0	407	134	0	0	0	134	91	335	0	0	426	1043
05:30 PM	102	0	0	7	109	136	265	0	0	401	127	0	0	5	132	83	325	0	0	408	1050
05:45 PM	71	0	0	11	82	159	313	0	0	472	120	0	0	0	120	74	304	0	0	378	1052
Total	344	0	0	36	380	594	1137	0	0	1731	515	0	0	7	522	366	1301	0	0	1667	4300
06:00 PM	89	0	0	6	95	142	318	0	0	460	128	0	0	2	130	69	289	0	0	358	1043
06:15 PM	97	0	0	7	104	170	300	0	0	470	99	0	0	4	103	68	268	0	0	336	1013
06:30 PM	85	0	0	6	91	169	269	0	0	438	131	0	0	0	131	74	238	0	0	312	972
06:45 PM	97	0	0	2	99	150	245	0	0	395	140	0	0	2	142	65	229	0	0	294	930
Total	368	0	0	21	389	631	1132	0	0	1763	498	0	0	8	506	276	1024	0	0	1300	3958
Grand Total	1089	0	0	100	1189	1873	3409	0	0	5282	1552	0	0	26	1578	1030	3495	0	0	4525	12574
Apprch %	91.6	0	0	8.4		35.5	64.5	0	0		98.4	0	0	1.6		22.8	77.2	0	0		
Total %	8.7	0	0	0.8	9.5	14.9	27.1	0	0	42	12.3	0	0	0.2	12.5	8.2	27.8	0	0	36	

Start Time	I-680 SB RAMPS Southbound				MCKEE RD Westbound				I-680 SB RAMPS Northbound				MCKEE RD Eastbound				Int. Total
	Right	Thru	Left	App. Total	Right	Thru	Left	App. Total	Right	Thru	Left	App. Total	Right	Thru	Left	App. Total	
Peak Hour Analysis From 04:00 PM to 06:45 PM - Peak 1 of 1																	
Peak Hour for Entire Intersection Begins at 04:15 PM																	
04:15 PM	93	0	0	93	156	276	0	432	142	0	0	142	101	290	0	391	1058
04:30 PM	83	0	0	83	171	277	0	448	132	0	0	132	91	284	0	375	1038
04:45 PM	108	0	0	108	157	303	0	460	130	0	0	130	98	300	0	398	1096
05:00 PM	102	0	0	102	144	307	0	451	134	0	0	134	118	337	0	455	1142
Total Volume	386	0	0	386	628	1163	0	1791	538	0	0	538	408	1211	0	1619	4334
% App. Total	100	0	0		35.1	64.9	0		100	0	0		25.2	74.8	0		
PHF	.894	.000	.000	.894	.918	.947	.000	.973	.947	.000	.000	.947	.864	.898	.000	.890	.949

Traffic Data Service

Campbell, CA
 (408) 377-2988
tdsbay@cs.com

File Name : 7PM FINAL
 Site Code : 00000007
 Start Date : 3/5/2015
 Page No : 2



Traffic Data Service

Campbell, CA
 (408) 377-2988
 tdsbay@cs.com

File Name : 8AM FINAL
 Site Code : 00000008
 Start Date : 3/5/2015
 Page No : 1

Groups Printed- Vehicles

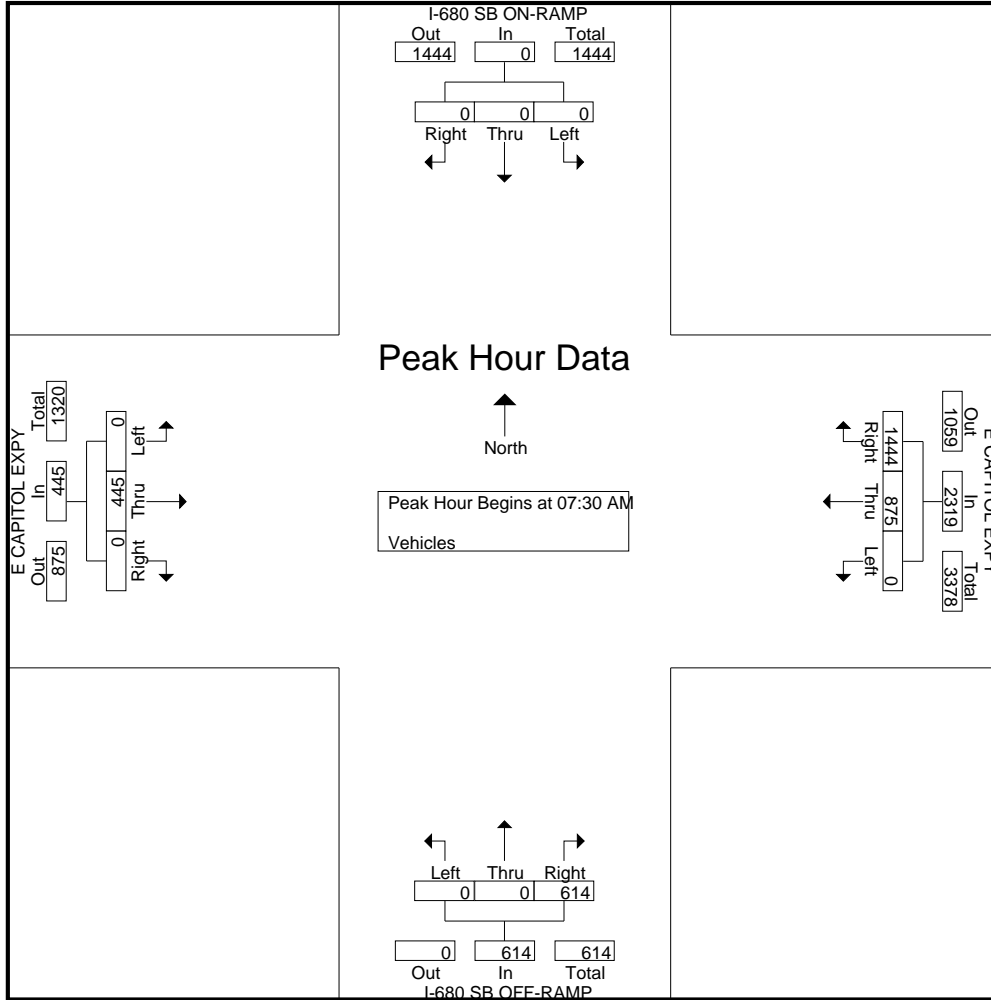
Start Time	I-680 SB ON-RAMP Southbound					E CAPITOL EXPY Westbound					I-680 SB OFF-RAMP Northbound					E CAPITOL EXPY Eastbound					Int. Total
	Right	Thru	Left	Peds	App. Total	Right	Thru	Left	Peds	App. Total	Right	Thru	Left	Peds	App. Total	Right	Thru	Left	Peds	App. Total	
07:00 AM	0	0	0	0	0	393	144	0	0	537	110	0	0	0	110	0	49	0	0	49	696
07:15 AM	0	0	0	0	0	366	144	0	0	510	114	0	0	0	114	0	88	0	0	88	712
07:30 AM	0	0	0	0	0	369	239	0	0	608	150	0	0	0	150	0	100	0	0	100	858
07:45 AM	0	0	0	0	0	348	228	0	0	576	167	0	0	0	167	0	123	0	0	123	866
Total	0	0	0	0	0	1476	755	0	0	2231	541	0	0	0	541	0	360	0	0	360	3132
08:00 AM	0	0	0	0	0	372	230	0	0	602	150	0	0	0	150	0	142	0	0	142	894
08:15 AM	0	0	0	0	0	355	178	0	1	534	147	0	0	0	147	0	80	0	0	80	761
08:30 AM	0	0	0	2	2	358	210	0	0	568	141	0	0	0	141	0	76	0	0	76	787
08:45 AM	0	0	0	0	0	258	127	0	0	385	119	0	0	0	119	0	83	0	0	83	587
Total	0	0	0	2	2	1343	745	0	1	2089	557	0	0	0	557	0	381	0	0	381	3029
09:00 AM	0	0	0	1	1	235	91	0	0	326	108	0	0	0	108	0	74	0	0	74	509
09:15 AM	0	0	0	0	0	274	88	0	0	362	85	0	0	0	85	0	59	0	0	59	506
09:30 AM	0	0	0	1	1	304	131	0	0	435	101	0	0	0	101	0	68	0	0	68	605
09:45 AM	0	0	0	0	0	256	112	0	0	368	107	0	0	0	107	0	68	0	0	68	543
Total	0	0	0	2	2	1069	422	0	0	1491	401	0	0	0	401	0	269	0	0	269	2163
Grand Total	0	0	0	4	4	3888	1922	0	1	5811	1499	0	0	0	1499	0	1010	0	0	1010	8324
Apprch %	0	0	0	100		66.9	33.1	0	0		100	0	0	0		0	100	0	0		
Total %	0	0	0	0	0	46.7	23.1	0	0	69.8	18	0	0	0	18	0	12.1	0	0	12.1	

Start Time	I-680 SB ON-RAMP Southbound				E CAPITOL EXPY Westbound				I-680 SB OFF-RAMP Northbound				E CAPITOL EXPY Eastbound				Int. Total
	Right	Thru	Left	App. Total	Right	Thru	Left	App. Total	Right	Thru	Left	App. Total	Right	Thru	Left	App. Total	
Peak Hour Analysis From 07:00 AM to 09:45 AM - Peak 1 of 1																	
Peak Hour for Entire Intersection Begins at 07:30 AM																	
07:30 AM	0	0	0	0	369	239	0	608	150	0	0	150	0	100	0	100	858
07:45 AM	0	0	0	0	348	228	0	576	167	0	0	167	0	123	0	123	866
08:00 AM	0	0	0	0	372	230	0	602	150	0	0	150	0	142	0	142	894
08:15 AM	0	0	0	0	355	178	0	533	147	0	0	147	0	80	0	80	760
Total Volume	0	0	0	0	1444	875	0	2319	614	0	0	614	0	445	0	445	3378
% App. Total	0	0	0	0	62.3	37.7	0		100	0	0		0	100	0		
PHF	.000	.000	.000	.000	.970	.915	.000	.954	.919	.000	.000	.919	.000	.783	.000	.783	.945

Traffic Data Service

Campbell, CA
 (408) 377-2988
tdsbay@cs.com

File Name : 8AM FINAL
 Site Code : 00000008
 Start Date : 3/5/2015
 Page No : 2



Traffic Data Service

Campbell, CA
 (408) 377-2988
 tdsbay@cs.com

File Name : 8PM FINAL
 Site Code : 00000008
 Start Date : 3/5/2015
 Page No : 1

Groups Printed- Vehicles

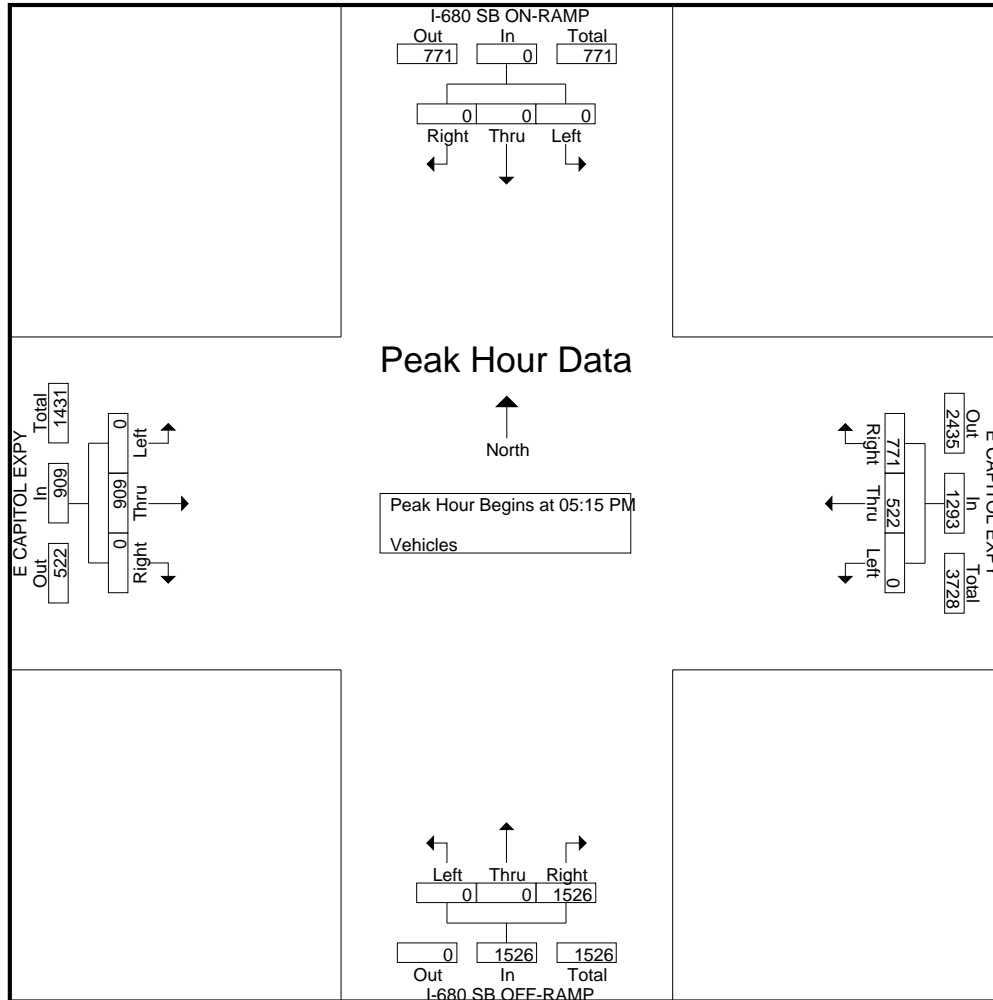
Start Time	I-680 SB ON-RAMP Southbound					E CAPITOL EXPY Westbound					I-680 SB OFF-RAMP Northbound					E CAPITOL EXPY Eastbound					Int. Total
	Right	Thru	Left	Peds	App. Total	Right	Thru	Left	Peds	App. Total	Right	Thru	Left	Peds	App. Total	Right	Thru	Left	Peds	App. Total	
04:00 PM	0	0	0	0	0	222	107	0	0	329	359	0	0	0	359	0	175	0	0	175	863
04:15 PM	0	0	0	2	2	193	119	0	0	312	388	0	0	0	388	0	181	0	0	181	883
04:30 PM	0	0	0	2	2	172	106	0	0	278	386	0	0	0	386	0	188	0	0	188	854
04:45 PM	0	0	0	1	1	163	129	0	0	292	405	0	0	0	405	0	183	0	0	183	881
Total	0	0	0	5	5	750	461	0	0	1211	1538	0	0	0	1538	0	727	0	0	727	3481
05:00 PM	0	0	0	2	2	193	103	0	0	296	411	0	0	0	411	0	194	0	0	194	903
05:15 PM	0	0	0	1	1	208	127	0	0	335	396	0	0	0	396	0	225	0	0	225	957
05:30 PM	0	0	0	0	0	178	130	0	0	308	361	0	0	0	361	0	212	0	0	212	881
05:45 PM	0	0	0	0	0	193	141	0	0	334	394	0	0	0	394	0	231	0	0	231	959
Total	0	0	0	3	3	772	501	0	0	1273	1562	0	0	0	1562	0	862	0	0	862	3700
06:00 PM	0	0	0	0	0	192	124	0	0	316	375	0	0	0	375	0	241	0	0	241	932
06:15 PM	0	0	0	0	0	219	134	0	0	353	342	0	0	0	342	0	226	0	0	226	921
06:30 PM	0	0	0	0	0	220	134	0	4	358	355	0	0	0	355	0	194	0	0	194	907
06:45 PM	0	0	0	1	1	212	113	0	0	325	373	0	0	0	373	0	180	0	0	180	879
Total	0	0	0	1	1	843	505	0	4	1352	1445	0	0	0	1445	0	841	0	0	841	3639
Grand Total	0	0	0	9	9	2365	1467	0	4	3836	4545	0	0	0	4545	0	2430	0	0	2430	10820
Apprch %	0	0	0	100		61.7	38.2	0	0.1		100	0	0	0		0	100	0	0		
Total %	0	0	0	0.1	0.1	21.9	13.6	0	0	35.5	42	0	0	0	42	0	22.5	0	0	22.5	

Start Time	I-680 SB ON-RAMP Southbound				E CAPITOL EXPY Westbound				I-680 SB OFF-RAMP Northbound				E CAPITOL EXPY Eastbound				Int. Total
	Right	Thru	Left	App. Total	Right	Thru	Left	App. Total	Right	Thru	Left	App. Total	Right	Thru	Left	App. Total	
Peak Hour Analysis From 04:00 PM to 06:45 PM - Peak 1 of 1																	
Peak Hour for Entire Intersection Begins at 05:15 PM																	
05:15 PM	0	0	0	0	208	127	0	335	396	0	0	396	0	225	0	225	956
05:30 PM	0	0	0	0	178	130	0	308	361	0	0	361	0	212	0	212	881
05:45 PM	0	0	0	0	193	141	0	334	394	0	0	394	0	231	0	231	959
06:00 PM	0	0	0	0	192	124	0	316	375	0	0	375	0	241	0	241	932
Total Volume	0	0	0	0	771	522	0	1293	1526	0	0	1526	0	909	0	909	3728
% App. Total	0	0	0		59.6	40.4	0		100	0	0		0	100	0		
PHF	.000	.000	.000	.000	.927	.926	.000	.965	.963	.000	.000	.963	.000	.943	.000	.943	.972

Traffic Data Service

Campbell, CA
 (408) 377-2988
 tdsbay@cs.com

File Name : 8PM FINAL
 Site Code : 00000008
 Start Date : 3/5/2015
 Page No : 2



Traffic Data Service -- Campbell, CA Event Counts

EventCount-5634 -- English (ENU)

Datasets:

Site: [5EW] BERRYESSA RD BETWEEN PEMBROKE DR AND I-680
Input A: 4 - West bound. - Lane= 0, Excluded from totals.
Input B: 2 - East bound. - Lane= 0, Added to totals. (/2.000)
Data type: Axle sensors - Separate (Count)

Profile:

Name: Default Profile
Scheme: Count events divided by setup divisor
Units: Non metric (ft, mi, ft/s, mph, lb, ton)

*** Tuesday, March 03, 2015=18062, 15 minute drops**

0000	0100	0200	0300	0400	0500	0600	0700	0800	0900	1000	1100	1200	1300	1400	1500	1600	1700	1800	1900	2000	2100	2200	2300	
105	79	46	53	102	302	525	1406	1239	906	863	922	892	1014	1258	1368	1377	1505	1279	1031	669	547	365	216	
42	22	10	9	14	44	99	243	353	219	193	206	216	248	299	335	290	358	361	281	195	156	104	64	28
31	20	7	9	34	61	107	316	355	206	220	227	245	226	336	351	344	376	341	288	182	165	110	65	26
18	19	15	17	28	97	149	467	257	249	224	271	209	253	317	382	364	396	293	238	145	123	78	48	47
14	18	14	18	27	101	171	380	274	233	227	219	223	289	307	301	380	376	285	224	147	103	74	39	26

AM Peak 0730 - 0830 (1555), AM PHF=0.83 PM Peak 1645 - 1745 (1509), PM PHF=0.95

*** Wednesday, March 04, 2015=18021, 15 minute drops**

0000	0100	0200	0300	0400	0500	0600	0700	0800	0900	1000	1100	1200	1300	1400	1500	1600	1700	1800	1900	2000	2100	2200	2300	
126	68	54	45	135	283	545	1290	1342	945	846	903	917	975	1316	1286	1366	1429	1397	971	678	513	356	240	
28	19	22	6	31	35	99	226	371	245	185	229	223	220	311	309	316	376	370	261	185	142	117	71	45
26	15	4	10	32	57	121	321	369	235	214	232	237	275	339	309	335	374	397	269	166	134	94	60	37
47	18	16	12	30	100	155	372	360	246	224	220	212	209	342	362	340	343	336	231	159	137	82	52	28
26	16	12	17	43	92	171	373	243	219	223	223	246	271	325	308	376	337	294	210	169	101	64	58	30

AM Peak 0730 - 0830 (1483), AM PHF=1.00 PM Peak 1645 - 1745 (1468), PM PHF=0.98

*** Thursday, March 05, 2015=18191, 15 minute drops**

0000	0100	0200	0300	0400	0500	0600	0700	0800	0900	1000	1100	1200	1300	1400	1500	1600	1700	1800	1900	2000	2100	2200	2300	
140	87	48	69	107	290	552	1424	1224	929	853	891	1024	1061	1182	1319	1313	1454	1261	997	735	575	419	242	
45	28	14	14	22	26	99	241	354	229	219	212	242	280	243	303	323	350	359	296	208	156	115	67	45
37	24	9	16	36	59	128	337	365	218	203	211	262	282	329	344	346	369	333	253	185	155	116	72	48
28	22	14	15	23	103	148	455	259	229	196	231	259	253	289	334	340	361	285	240	154	146	92	65	32
30	13	11	24	27	103	178	391	247	253	235	238	261	246	323	339	305	375	285	209	188	118	97	39	30

AM Peak 0730 - 0830 (1564), AM PHF=0.86 PM Peak 1715 - 1815 (1463), PM PHF=0.98

Traffic Data Service -- Campbell, CA Event Counts

EventCount-5633 -- English (ENU)

Datasets:

Site: [5EW] BERRYESSA RD BETWEEN PEMBROKE DR AND I-680
Input A: 4 - West bound. - Lane= 0, Added to totals. (/2.000)
Input B: 2 - East bound. - Lane= 0, Excluded from totals.
Data type: Axle sensors - Separate (Count)

Profile:

Name: Default Profile
Scheme: Count events divided by setup divisor
Units: Non metric (ft, mi, ft/s, mph, lb, ton)

*** Tuesday, March 03, 2015=20616, 15 minute drops**

0000	0100	0200	0300	0400	0500	0600	0700	0800	0900	1000	1100	1200	1300	1400	1500	1600	1700	1800	1900	2000	2100	2200	2300	
151	88	48	75	130	463	1041	1766	1703	1363	936	965	986	1010	1167	1399	1377	1461	1316	1035	794	676	418	254	
35	25	16	18	22	71	178	451	472	365	281	244	261	230	258	351	339	345	359	302	217	202	123	70	52
59	17	11	19	18	102	206	381	410	376	227	215	240	262	269	361	330	390	348	239	221	186	124	71	34
30	35	12	15	48	138	282	408	427	328	217	234	247	244	276	345	350	350	314	271	188	150	90	65	32
28	12	10	23	43	153	375	528	394	296	212	273	239	274	365	343	359	376	296	224	169	139	82	49	31

AM Peak 0745 - 0845 (1836), AM PHF=0.87 PM Peak 1715 - 1815 (1475), PM PHF=0.95

*** Wednesday, March 04, 2015=20706, 15 minute drops**

0000	0100	0200	0300	0400	0500	0600	0700	0800	0900	1000	1100	1200	1300	1400	1500	1600	1700	1800	1900	2000	2100	2200	2300	
148	107	60	57	152	459	1021	1644	1813	1464	978	946	975	1057	1236	1373	1271	1396	1335	1006	889	625	424	277	
52	28	29	10	38	80	172	408	437	372	272	229	243	279	295	401	338	328	376	268	239	191	133	87	41
34	28	10	14	23	98	210	374	463	452	258	215	261	264	262	311	340	362	390	262	240	164	114	66	48
32	22	10	18	33	140	294	407	427	326	254	284	238	258	288	333	303	350	298	260	210	139	82	77	38
31	30	12	16	58	142	346	456	487	315	194	218	234	256	392	328	291	357	271	217	201	132	95	48	22

AM Peak 0800 - 0900 (1813), AM PHF=0.93 PM Peak 1730 - 1830 (1472), PM PHF=0.94

*** Thursday, March 05, 2015=20688, 15 minute drops**

0000	0100	0200	0300	0400	0500	0600	0700	0800	0900	1000	1100	1200	1300	1400	1500	1600	1700	1800	1900	2000	2100	2200	2300	
149	90	62	82	139	463	1016	1681	1750	1324	990	886	1044	1153	1136	1270	1325	1333	1425	1027	850	745	443	311	
41	25	23	21	16	77	174	403	472	333	278	218	271	297	315	288	332	323	374	311	229	198	141	98	55
48	27	17	20	31	93	201	342	448	371	267	202	237	323	262	343	316	306	391	258	209	201	109	75	47
38	23	12	16	38	127	289	417	397	337	207	239	248	278	283	341	360	356	342	235	229	184	102	89	46
22	15	12	25	54	167	352	520	434	285	238	227	289	256	277	299	317	349	320	223	183	163	91	50	30

AM Peak 0730 - 0830 (1857), AM PHF=0.89 PM Peak 1730 - 1830 (1469), PM PHF=0.94

Traffic Data Service -- Campbell, CA Event Counts

EventCount-5625 -- English (ENU)

Datasets:

Site: [1EW] CALAVERAS BLVD BETWEEN HILLVIEW DR AND I-680
Input A: 4 - West bound. - Lane= 0, Excluded from totals.
Input B: 2 - East bound. - Lane= 0, Added to totals. (/2.000)
Data type: Axle sensors - Separate (Count)

Profile:

Name: Default Profile
Scheme: Count events divided by setup divisor
Units: Non metric (ft, mi, ft/s, mph, lb, ton)

*** Tuesday, March 03, 2015=27253, 15 minute drops**

0000	0100	0200	0300	0400	0500	0600	0700	0800	0900	1000	1100	1200	1300	1400	1500	1600	1700	1800	1900	2000	2100	2200	2300	
239	122	86	61	63	164	437	878	919	1061	1178	1393	1625	1622	2037	2409	2465	2622	2313	1979	1381	1088	675	441	
92	34	24	11	15	25	98	174	227	252	290	314	419	374	471	600	624	696	624	506	386	285	207	134	106
57	37	16	12	10	31	92	210	250	242	282	339	444	393	473	603	621	662	559	555	346	304	163	120	65
50	26	17	22	19	43	134	232	215	280	293	377	389	435	561	591	603	650	573	460	332	294	165	100	53
41	26	29	17	20	65	114	263	228	288	314	364	373	421	533	616	617	615	558	458	318	206	140	87	48

AM Peak 1145 - 1245 (1616), AM PHF=0.91 PM Peak 1645 - 1745 (2624), PM PHF=0.94

*** Wednesday, March 04, 2015=27043, 15 minute drops**

0000	0100	0200	0300	0400	0500	0600	0700	0800	0900	1000	1100	1200	1300	1400	1500	1600	1700	1800	1900	2000	2100	2200	2300	
271	105	91	61	72	158	435	868	989	1037	1038	1429	1593	1663	2096	2288	2457	2473	2215	2023	1403	1102	716	464	
106	36	17	18	17	30	88	188	263	268	274	297	395	437	465	545	650	665	579	527	391	322	219	151	116
65	31	26	5	16	36	116	162	238	258	232	376	428	379	515	554	565	623	580	532	391	284	174	129	61
53	13	28	16	22	32	105	219	246	257	269	352	359	431	539	659	609	584	572	519	325	245	157	109	56
48	26	21	22	18	61	127	300	242	254	264	404	411	416	577	531	633	602	486	445	298	251	167	76	39

AM Peak 1145 - 1245 (1586), AM PHF=0.93 PM Peak 1630 - 1730 (2530), PM PHF=0.95

*** Thursday, March 05, 2015=27072, 15 minute drops**

0000	0100	0200	0300	0400	0500	0600	0700	0800	0900	1000	1100	1200	1300	1400	1500	1600	1700	1800	1900	2000	2100	2200	2300	
271	114	87	66	54	188	425	858	909	975	1138	1534	1683	1638	2033	2398	2481	2446	2105	1948	1434	1145	673	474	
116	47	28	20	14	30	86	180	225	232	264	341	421	409	461	603	641	668	547	530	466	296	211	138	102
61	20	17	23	9	40	111	178	220	218	274	360	431	393	502	579	595	583	570	495	343	319	191	150	83
56	30	30	14	11	47	122	214	242	244	281	400	419	423	512	641	615	615	498	491	340	282	145	110	68
39	17	13	10	21	72	107	287	223	282	320	434	412	413	559	576	631	580	491	433	285	249	127	77	46

AM Peak 1145 - 1245 (1704), AM PHF=0.98 PM Peak 1615 - 1715 (2509), PM PHF=0.94

Traffic Data Service -- Campbell, CA Event Counts

EventCount-5624 -- English (ENU)

Datasets:

Site: [1EW] CALAVERAS BLVD BETWEEN HILLVIEW DR AND I-680
Input A: 4 - West bound. - Lane= 0, Added to totals. (/2.000)
Input B: 2 - East bound. - Lane= 0, Excluded from totals.
Data type: Axle sensors - Separate (Count)

Profile:

Name: Default Profile
Scheme: Count events divided by setup divisor
Units: Non metric (ft, mi, ft/s, mph, lb, ton)

*** Tuesday, March 03, 2015=29507, 15 minute drops**

0000	0100	0200	0300	0400	0500	0600	0700	0800	0900	1000	1100	1200	1300	1400	1500	1600	1700	1800	1900	2000	2100	2200	2300	
99	58	60	95	316	1384	2307	3087	2842	2685	1895	1619	1568	1421	1335	1444	1367	1482	1441	1066	825	567	354	196	
34	9	21	11	43	159	493	659	773	634	538	404	364	369	338	326	327	359	351	298	213	151	95	53	27
31	22	16	20	51	274	519	781	678	699	485	409	449	371	307	360	321	368	360	290	208	160	99	51	27
22	8	10	33	92	437	606	795	715	619	421	421	381	346	332	380	335	363	388	226	225	130	89	48	27
13	19	13	31	131	515	690	853	677	733	451	386	375	335	359	379	386	392	342	254	180	127	72	45	19

AM Peak 0715 - 0815 (3201), AM PHF=0.94 PM Peak 1215 - 1315 (1573), PM PHF=0.88

*** Wednesday, March 04, 2015=28713, 15 minute drops**

0000	0100	0200	0300	0400	0500	0600	0700	0800	0900	1000	1100	1200	1300	1400	1500	1600	1700	1800	1900	2000	2100	2200	2300	
99	57	49	113	328	1395	2214	2887	2981	2297	1803	1577	1560	1495	1334	1285	1375	1432	1456	1131	745	546	340	220	
27	20	8	23	36	172	488	652	784	639	499	387	330	404	336	332	298	311	383	341	215	156	106	71	21
27	15	6	20	56	277	527	769	769	601	443	380	430	368	326	330	346	367	403	298	195	127	68	62	18
27	10	12	35	101	444	545	693	724	504	430	395	428	375	352	306	352	390	338	270	173	122	85	47	24
19	12	23	36	137	503	655	773	704	554	431	416	373	348	321	318	380	365	334	223	163	141	81	40	16

AM Peak 0745 - 0845 (3049), AM PHF=0.97 PM Peak 1215 - 1315 (1634), PM PHF=0.95

*** Thursday, March 05, 2015=28109, 15 minute drops**

0000	0100	0200	0300	0400	0500	0600	0700	0800	0900	1000	1100	1200	1300	1400	1500	1600	1700	1800	1900	2000	2100	2200	2300	
79	57	57	92	304	1376	2204	3101	2311	2100	1835	1605	1607	1482	1422	1319	1337	1403	1417	1085	764	547	383	226	
21	18	16	17	34	164	449	669	623	504	447	401	391	373	377	302	278	360	327	321	208	176	109	66	41
18	16	10	18	48	278	521	784	625	511	426	380	438	427	364	331	327	326	395	284	197	154	97	57	26
24	9	14	28	97	455	611	828	494	505	485	419	387	341	352	334	369	356	351	249	166	112	85	55	20
16	14	18	29	126	481	624	822	570	581	478	406	392	343	330	353	363	361	345	232	193	106	93	48	19

AM Peak 0700 - 0800 (3101), AM PHF=0.94 PM Peak 1200 - 1300 (1607), PM PHF=0.92

Traffic Data Service -- Campbell, CA Event Counts

EventCount-5627 -- English (ENU)

Datasets:

Site: [2E] CALAVERAS BLVD BETWEEN I-680 AND SOUTH PARK VICTORIA DR
Input A: 2 - East bound. - Lane= 0, Added to totals. (/2.000)
Input B: 0 - Unused or unknown. - Lane= 0, Excluded from totals.
Data type: Axle sensors - Separate (Count)

Profile:

Name: Default Profile
Scheme: Count events divided by setup divisor
Units: Non metric (ft, mi, ft/s, mph, lb, ton)

*** Tuesday, March 03, 2015=19766, 15 minute drops**

0000	0100	0200	0300	0400	0500	0600	0700	0800	0900	1000	1100	1200	1300	1400	1500	1600	1700	1800	1900	2000	2100	2200	2300	
176	98	62	46	56	123	327	888	974	852	860	1070	1193	1007	1157	1586	1691	2036	1697	1308	936	720	536	373	
60	28	16	11	9	21	64	133	250	212	204	238	335	259	271	367	388	493	462	331	259	190	166	125	63
44	32	16	13	9	30	72	178	254	225	202	255	319	260	270	421	408	511	421	348	253	192	141	102	41
38	21	16	11	14	32	92	245	211	200	212	264	277	239	287	390	449	546	420	312	195	173	115	75	43
34	18	15	11	24	40	100	333	260	216	243	313	263	249	330	408	447	486	396	317	230	166	115	71	31

AM Peak 1145 - 1245 (1243), AM PHF=0.93 PM Peak 1700 - 1800 (2036), PM PHF=0.93

*** Wednesday, March 04, 2015=19545, 15 minute drops**

0000	0100	0200	0300	0400	0500	0600	0700	0800	0900	1000	1100	1200	1300	1400	1500	1600	1700	1800	1900	2000	2100	2200	2300	
177	84	56	51	58	139	321	881	986	834	806	1139	1154	1009	1265	1454	1732	2084	1525	1259	930	779	502	325	
63	32	16	16	10	26	62	141	247	234	201	249	331	294	274	351	447	457	414	320	261	193	161	92	69
41	27	13	6	11	34	69	169	277	200	183	276	304	240	326	362	393	546	390	317	245	219	116	96	41
43	13	13	12	21	29	70	239	217	209	201	272	253	239	305	381	430	533	391	326	214	192	116	66	42
31	12	14	18	17	50	121	333	245	192	222	343	266	237	361	360	464	549	331	296	211	177	110	71	34

AM Peak 1130 - 1230 (1249), AM PHF=0.91 PM Peak 1700 - 1800 (2084), PM PHF=0.95

*** Thursday, March 05, 2015=20222, 15 minute drops**

0000	0100	0200	0300	0400	0500	0600	0700	0800	0900	1000	1100	1200	1300	1400	1500	1600	1700	1800	1900	2000	2100	2200	2300	
185	83	74	48	57	163	333	899	950	811	856	1174	1182	1067	1139	1605	1810	2172	1770	1283	965	772	477	354	
69	46	23	9	11	25	58	140	237	224	197	237	321	282	288	369	453	563	517	343	284	215	119	107	63
41	16	16	15	8	38	70	189	248	190	206	292	287	272	255	411	436	515	493	337	238	206	134	113	53
42	10	26	12	16	38	90	220	226	195	223	288	314	253	295	420	443	555	359	285	242	177	119	74	60
34	12	10	12	23	62	116	350	240	203	230	357	262	261	302	405	479	540	401	319	202	175	106	61	44

AM Peak 1145 - 1245 (1278), AM PHF=0.89 PM Peak 1700 - 1800 (2172), PM PHF=0.97

Traffic Data Service -- Campbell, CA Event Counts

EventCount-5626 -- English (ENU)

Datasets:

Site: [2W] CALAVERAS BLVD BETWEEN I-680 AND SOUTH PARK VICTORIA DR
Input A: 4 - West bound. - Lane= 0, Added to totals. (/2.000)
Input B: 0 - Unused or unknown. - Lane= 0, Excluded from totals.
Data type: Axle sensors - Separate (Count)

Profile:

Name: Default Profile
Scheme: Count events divided by setup divisor
Units: Non metric (ft, mi, ft/s, mph, lb, ton)

*** Tuesday, March 03, 2015=19853, 15 minute drops**

0000	0100	0200	0300	0400	0500	0600	0700	0800	0900	1000	1100	1200	1300	1400	1500	1600	1700	1800	1900	2000	2100	2200	2300
100	43	47	54	211	582	996	1715	1531	1261	1063	1102	1328	1317	1161	1213	1137	1156	1175	881	726	541	355	164
35	12	9	6	31	78	177	319	428	300	279	249	287	319	269	305	269	302	270	213	196	174	109	44
24	15	9	13	42	124	244	417	393	303	253	270	387	328	274	330	283	305	299	231	169	142	106	38
25	7	13	19	66	193	295	527	391	329	257	303	341	307	320	294	294	276	314	215	171	127	76	43
17	9	16	16	72	188	280	453	319	330	275	281	314	364	299	284	292	274	293	223	191	99	64	40

AM Peak 0715 - 0815 (1825), AM PHF=0.87 PM Peak 1215 - 1315 (1360), PM PHF=0.88

*** Wednesday, March 04, 2015=19625, 15 minute drops**

0000	0100	0200	0300	0400	0500	0600	0700	0800	0900	1000	1100	1200	1300	1400	1500	1600	1700	1800	1900	2000	2100	2200	2300
93	38	37	84	207	561	982	1707	1485	1225	1159	1108	1365	1352	1172	1117	1165	1148	1098	862	674	493	313	186
23	10	6	16	18	87	201	333	436	334	286	301	282	378	322	303	258	263	288	251	204	149	94	67
24	15	10	14	51	130	244	414	374	310	298	239	350	338	265	277	291	310	309	217	155	127	82	52
23	5	9	19	71	170	242	524	338	284	285	270	347	332	304	258	293	292	256	226	173	105	79	43
23	8	13	35	68	175	295	437	339	298	291	298	387	304	282	279	323	284	246	169	143	114	60	25

AM Peak 0715 - 0815 (1809), AM PHF=0.86 PM Peak 1215 - 1315 (1461), PM PHF=0.95

*** Thursday, March 05, 2015=19603, 15 minute drops**

0000	0100	0200	0300	0400	0500	0600	0700	0800	0900	1000	1100	1200	1300	1400	1500	1600	1700	1800	1900	2000	2100	2200	2300
80	41	40	66	208	594	942	1688	1543	1221	1081	1106	1337	1182	1221	1189	1115	1139	1131	862	755	528	371	167
34	21	8	15	24	92	206	336	452	311	260	248	301	304	303	299	261	320	278	269	175	142	126	62
11	7	7	8	35	135	226	418	397	303	245	282	369	314	311	280	271	258	308	201	166	147	93	38
25	5	7	14	74	197	248	508	346	309	305	283	355	278	311	323	309	286	280	218	185	109	83	40
11	8	18	29	76	171	263	426	349	298	271	294	313	286	297	287	274	275	266	174	229	130	70	28

AM Peak 0715 - 0815 (1804), AM PHF=0.89 PM Peak 1215 - 1315 (1340), PM PHF=0.91

Traffic Data Service -- Campbell, CA Event Counts

EventCount-5632 -- English (ENU)

Datasets:

Site: [4EW] MONTAGUE EXPY BETWEEN I-680 AND MORRIL AVE
Input A: 4 - West bound. - Lane= 0, Excluded from totals.
Input B: 2 - East bound. - Lane= 0, Added to totals. (/2.000)
Data type: Axle sensors - Separate (Count)

Profile:

Name: Default Profile
Scheme: Count events divided by setup divisor
Units: Non metric (ft, mi, ft/s, mph, lb, ton)

*** Tuesday, March 03, 2015=19697, 15 minute drops**

0000	0100	0200	0300	0400	0500	0600	0700	0800	0900	1000	1100	1200	1300	1400	1500	1600	1700	1800	1900	2000	2100	2200	2300	
186	93	48	49	59	131	263	781	755	699	710	1072	1147	968	1300	1534	1806	2023	1977	1476	985	791	511	338	
59	33	14	5	17	19	45	131	224	157	185	233	342	254	286	368	433	515	494	480	261	232	139	94	80
53	18	19	14	7	28	65	162	200	178	159	242	310	246	290	396	427	518	481	366	252	210	151	87	67
41	15	9	14	16	32	64	208	168	183	205	272	246	228	336	348	448	516	497	325	267	175	116	97	52
34	27	6	17	19	52	90	281	164	181	161	327	250	240	388	423	498	475	505	306	206	175	106	61	25

AM Peak 1130 - 1230 (1249), AM PHF=0.91 PM Peak 1645 - 1745 (2046), PM PHF=0.99

*** Wednesday, March 04, 2015=19336, 15 minute drops**

0000	0100	0200	0300	0400	0500	0600	0700	0800	0900	1000	1100	1200	1300	1400	1500	1600	1700	1800	1900	2000	2100	2200	2300	
223	110	67	40	66	136	262	773	755	664	777	1010	1143	1090	1229	1391	1705	1992	1804	1418	1057	770	494	365	
80	35	21	11	12	17	49	134	211	190	183	214	317	271	284	311	387	528	441	397	304	198	157	93	59
67	20	17	10	13	34	56	174	213	160	185	223	304	291	296	331	416	509	460	374	279	233	118	95	49
52	27	15	7	14	31	62	198	167	145	194	253	278	259	327	353	434	494	447	328	243	174	127	92	43
25	28	14	12	27	54	97	268	165	169	215	321	245	270	322	397	470	462	457	321	231	166	93	86	35

AM Peak 1145 - 1245 (1219), AM PHF=0.95 PM Peak 1645 - 1745 (2000), PM PHF=0.95

*** Thursday, March 05, 2015=19843, 15 minute drops**

0000	0100	0200	0300	0400	0500	0600	0700	0800	0900	1000	1100	1200	1300	1400	1500	1600	1700	1800	1900	2000	2100	2200	2300	
186	114	51	47	64	134	277	770	777	662	753	1057	1184	1040	1209	1460	1783	1976	1933	1442	1099	849	578	404	
59	43	18	9	12	19	55	139	241	171	195	233	339	280	229	351	388	510	478	417	307	238	181	128	73
49	31	11	11	11	32	58	168	204	164	165	253	298	283	287	339	489	519	495	349	281	240	148	104	65
43	25	12	13	25	29	74	206	163	168	211	250	288	229	331	375	441	447	484	378	249	186	129	84	43
35	15	10	14	16	54	90	258	169	160	183	322	260	249	363	396	465	501	477	299	262	186	121	89	43

AM Peak 1145 - 1245 (1246), AM PHF=0.92 PM Peak 1700 - 1800 (1976), PM PHF=0.95

Traffic Data Service -- Campbell, CA Event Counts

EventCount-5630 -- English (ENU)

Datasets:

Site: [4EW] MONTAGUE EXPY BETWEEN I-680 AND MORRIL AVE
Input A: 4 - West bound. - Lane= 0, Added to totals. (/2.000)
Input B: 2 - East bound. - Lane= 0, Excluded from totals.
Data type: Axle sensors - Separate (Count)

Profile:

Name: Default Profile
Scheme: Count events divided by setup divisor
Units: Non metric (ft, mi, ft/s, mph, lb, ton)

*** Tuesday, March 03, 2015=18353, 15 minute drops**

0000	0100	0200	0300	0400	0500	0600	0700	0800	0900	1000	1100	1200	1300	1400	1500	1600	1700	1800	1900	2000	2100	2200	2300	
91	66	29	56	163	489	952	1540	1627	1279	1101	980	1176	1162	1108	1098	926	916	940	880	737	514	323	204	
33	19	5	11	27	54	165	336	412	343	296	243	252	287	265	305	234	210	257	239	218	159	81	61	41
26	13	7	12	23	105	224	374	446	323	275	259	299	299	284	282	246	243	221	234	142	123	80	44	29
20	18	6	17	51	158	288	432	402	302	258	235	338	298	275	286	226	223	228	207	142	121	79	55	19
12	16	11	16	63	172	275	400	368	311	272	244	287	279	285	226	221	241	235	201	237	112	83	44	20

AM Peak 0730 - 0830 (1689), AM PHF=0.95 PM Peak 1215 - 1315 (1211), PM PHF=0.90

*** Wednesday, March 04, 2015=18389, 15 minute drops**

0000	0100	0200	0300	0400	0500	0600	0700	0800	0900	1000	1100	1200	1300	1400	1500	1600	1700	1800	1900	2000	2100	2200	2300	
109	68	51	64	144	516	956	1563	1525	1313	1090	1030	1207	1212	1126	934	968	942	917	915	706	510	342	186	
41	19	12	19	18	66	169	327	407	354	322	245	261	288	281	240	239	237	252	282	203	142	108	65	37
29	15	18	14	23	106	215	369	423	306	268	267	334	292	273	266	223	250	223	238	186	122	84	37	21
19	16	12	14	41	157	288	439	392	351	260	246	332	317	292	213	247	225	240	172	185	133	83	39	15
20	18	9	17	62	188	284	428	303	303	240	272	281	315	281	217	261	231	203	224	134	113	68	45	16

AM Peak 0730 - 0830 (1696), AM PHF=0.97 PM Peak 1215 - 1315 (1234), PM PHF=0.92

*** Thursday, March 05, 2015=18589, 15 minute drops**

0000	0100	0200	0300	0400	0500	0600	0700	0800	0900	1000	1100	1200	1300	1400	1500	1600	1700	1800	1900	2000	2100	2200	2300	
89	76	40	60	163	518	974	1584	1557	1327	1010	973	1176	1261	1104	1000	931	854	992	916	771	585	391	245	
37	21	13	14	21	66	154	357	383	361	269	224	303	334	240	286	234	225	253	265	232	158	109	80	57
21	12	6	18	30	120	236	384	430	344	255	239	308	336	276	250	235	215	245	247	176	146	103	60	38
15	21	9	15	57	161	284	406	399	326	266	250	264	298	303	256	234	217	249	196	186	149	95	66	27
16	22	12	14	55	171	301	438	346	296	221	261	302	293	286	209	229	198	245	208	177	132	85	39	26

AM Peak 0730 - 0830 (1656), AM PHF=0.95 PM Peak 1245 - 1345 (1270), PM PHF=0.94

Traffic Data Service -- Campbell, CA

Event Counts

EventCount-5628 -- English (ENU)

Datasets:

Site: [3E] MONTAGUE EXPY BETWEEN MONTAGUE CT AND I-680
Input A: 2 - East bound. - Lane= 0, Added to totals. (/2.000)
Input B: 0 - Unused or unknown. - Lane= 0, Excluded from totals.
Data type: Axle sensors - Separate (Count)

Profile:

Name: Default Profile
Scheme: Count events divided by setup divisor
Units: Non metric (ft, mi, ft/s, mph, lb, ton)

* Tuesday, March 03, 2015=25137, 15 minute drops

0000	0100	0200	0300	0400	0500	0600	0700	0800	0900	1000	1100	1200	1300	1400	1500	1600	1700	1800	1900	2000	2100	2200	2300	
190	123	74	87	83	164	345	653	742	779	775	1217	1375	1348	1838	2292	2693	2686	2445	1897	1200	1009	603	524	
76	46	19	18	20	33	70	126	201	204	193	275	386	371	392	546	579	735	632	596	342	316	185	147	100
44	33	21	20	16	25	75	136	207	206	192	265	369	331	414	567	694	697	620	510	308	259	175	102	63
43	23	16	25	21	47	93	178	155	171	183	282	321	304	493	624	725	678	617	429	307	239	140	197	45
27	22	19	25	27	60	108	213	180	199	207	396	299	342	540	556	696	577	577	363	244	195	104	78	34

AM Peak 1145 - 1245 (1472), AM PHF=0.93 PM Peak 1630 - 1730 (2853), PM PHF=0.97

* Wednesday, March 04, 2015=25326, 15 minute drops

0000	0100	0200	0300	0400	0500	0600	0700	0800	0900	1000	1100	1200	1300	1400	1500	1600	1700	1800	1900	2000	2100	2200	2300	
241	124	94	61	74	159	373	641	743	773	821	1182	1387	1379	1729	2346	2536	2665	2396	2093	1321	1007	653	533	
100	42	25	14	22	23	67	140	190	207	178	251	370	352	384	539	568	747	620	633	385	303	208	169	84
63	28	22	13	13	23	105	139	217	176	201	265	376	329	372	559	577	677	610	580	341	282	167	118	46
45	31	16	18	19	42	96	180	170	197	200	305	338	363	474	651	724	636	626	493	311	213	152	160	59
34	24	31	17	21	71	105	183	167	193	243	362	304	336	499	598	668	605	541	388	284	211	127	87	60

AM Peak 1145 - 1245 (1444), AM PHF=0.96 PM Peak 1630 - 1730 (2816), PM PHF=0.94

* Thursday, March 05, 2015=25349, 15 minute drops

0000	0100	0200	0300	0400	0500	0600	0700	0800	0900	1000	1100	1200	1300	1400	1500	1600	1700	1800	1900	2000	2100	2200	2300	
248	131	100	68	79	150	360	605	702	753	808	1239	1371	1358	1785	2347	2708	2596	2301	1949	1309	1060	756	573	
84	62	21	16	16	18	79	142	204	204	186	281	360	360	365	553	571	684	632	572	400	292	222	165	86
46	28	18	12	17	36	73	105	197	192	198	284	344	314	414	580	682	673	602	513	339	291	188	125	56
59	23	26	21	24	33	82	185	145	166	186	291	334	334	519	633	712	629	590	479	290	247	191	198	56
60	20	35	19	24	63	127	174	157	191	238	384	333	350	488	582	744	610	477	386	281	230	155	86	58

AM Peak 1145 - 1245 (1422), AM PHF=0.93 PM Peak 1615 - 1715 (2821), PM PHF=0.95

Traffic Data Service -- Campbell, CA Event Counts

EventCount-5643 -- English (ENU)

Datasets:

Site: [3W] MONTAGUE EXPY BETWEEN MONTAGUE CT AND I-680
Input A: 4 - West bound. - Lane= 0, Added to totals. (/2.000)
Input B: 0 - Unused or unknown. - Lane= 0, Excluded from totals.
Data type: Axle sensors - Separate (Count)

Profile:

Name: Default Profile
Scheme: Count events divided by setup divisor
Units: Non metric (ft, mi, ft/s, mph, lb, ton)

*** Tuesday, March 03, 2015=26960, 15 minute drops**

0000	0100	0200	0300	0400	0500	0600	0700	0800	0900	1000	1100	1200	1300	1400	1500	1600	1700	1800	1900	2000	2100	2200	2300	
73	84	55	127	352	1298	2464	3035	2845	2587	1942	1328	1367	1383	1284	1174	1119	1084	1115	864	572	413	251	152	
24	19	8	21	37	162	462	755	738	698	578	347	317	348	304	253	285	264	295	243	170	116	58	53	28
24	16	9	13	53	257	586	728	729	619	514	336	311	339	312	342	271	259	257	224	141	110	61	23	25
16	20	14	36	108	368	689	789	751	628	415	329	358	352	331	282	273	261	272	230	118	95	68	40	26
10	30	25	59	154	512	727	764	627	643	436	318	382	344	338	299	290	302	292	168	144	92	65	36	24

AM Peak 0700 - 0800 (3035), AM PHF=0.96 PM Peak 1230 - 1330 (1426), PM PHF=0.93

*** Wednesday, March 04, 2015=27258, 15 minute drops**

0000	0100	0200	0300	0400	0500	0600	0700	0800	0900	1000	1100	1200	1300	1400	1500	1600	1700	1800	1900	2000	2100	2200	2300	
102	68	65	129	358	1324	2445	3004	2704	2612	1889	1383	1462	1431	1303	1150	1121	1178	1128	897	599	422	319	173	
28	14	14	26	41	161	450	747	685	670	601	362	327	352	326	280	261	289	309	286	183	102	105	66	30
25	18	14	18	66	250	596	737	700	634	495	349	352	348	342	300	270	322	281	231	150	121	73	43	13
26	15	9	28	98	399	660	786	660	646	439	321	405	408	308	251	278	270	246	188	141	114	78	35	26
24	22	29	57	154	515	740	734	660	663	354	351	379	324	328	320	313	297	292	193	126	85	64	30	12

AM Peak 0645 - 0745 (3010), AM PHF=0.96 PM Peak 1215 - 1315 (1487), PM PHF=0.92

*** Thursday, March 05, 2015=27626, 15 minute drops**

0000	0100	0200	0300	0400	0500	0600	0700	0800	0900	1000	1100	1200	1300	1400	1500	1600	1700	1800	1900	2000	2100	2200	2300	
81	75	71	128	323	1293	2431	2979	2919	2500	1880	1309	1352	1450	1390	1233	1145	1100	1233	980	678	522	368	193	
30	20	18	23	35	164	457	764	715	622	571	349	313	356	348	326	277	294	256	287	206	147	105	56	37
13	12	7	17	45	257	577	772	735	613	499	318	327	374	342	317	282	261	322	263	164	140	96	50	15
26	20	13	29	99	379	677	714	749	605	425	307	368	332	335	293	297	261	335	213	160	119	81	44	20
12	24	34	60	144	493	721	730	720	661	386	335	345	389	365	297	290	284	321	217	149	117	87	44	19

AM Peak 0700 - 0800 (2979), AM PHF=0.97 PM Peak 1300 - 1400 (1450), PM PHF=0.93